

1 MTS 40-50 R38 D8.6



Screw spindle pump designed for pumping of cooling lubricants and cutting oils water/oil emulsion min. 3% for machine tool applications. The pump is designed to be mounted on top of tanks with pump immersed in the pumped liquid.

The pump has the following characteristics:

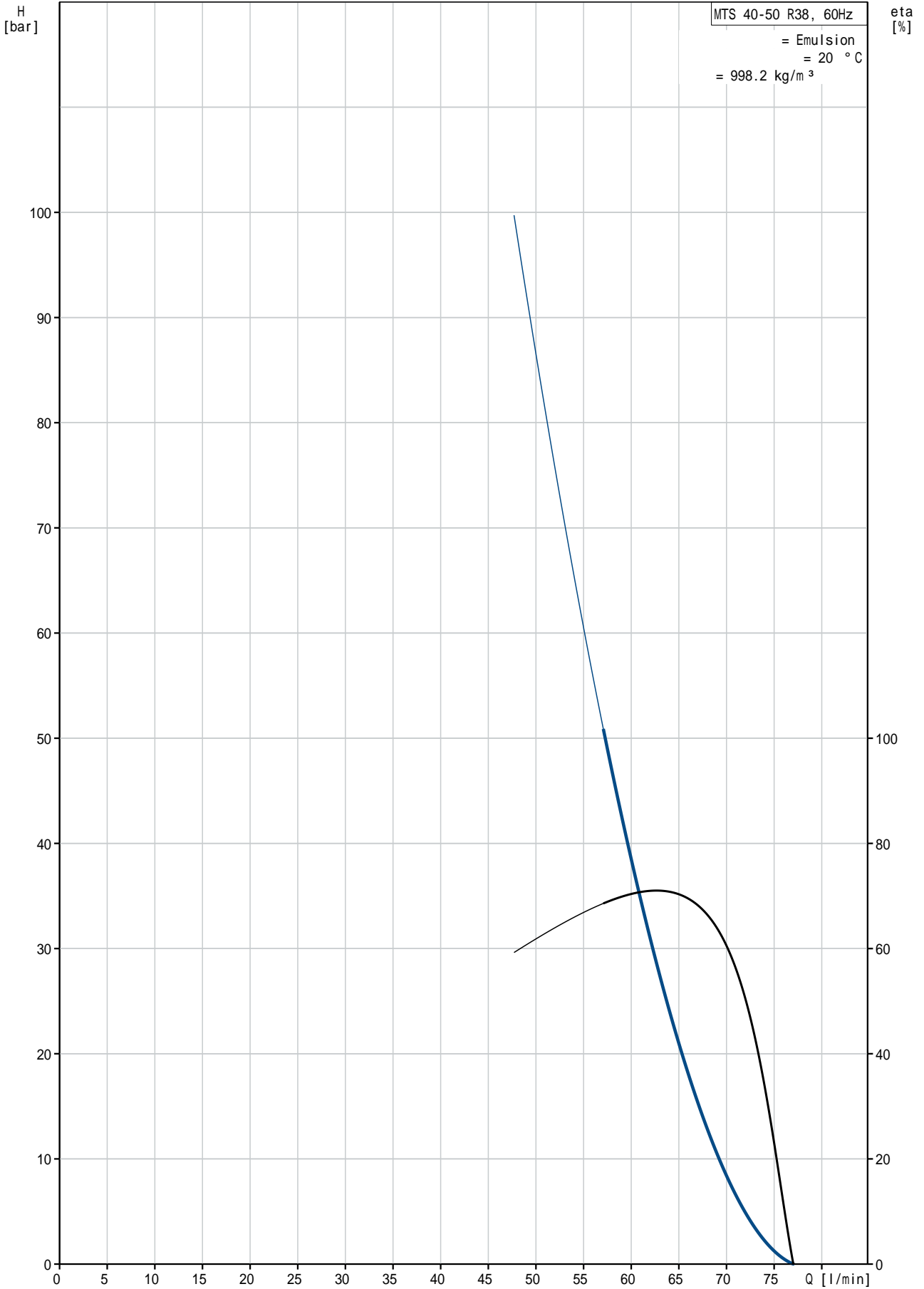
- High efficiency ensures very low heat input into the cooling lubricant.
- Axial thrust completely neutralised hydrostatically.
- Very wear resistant due specially hardened surfaces.
- D8.6 - mechanical shaft seal according to EN 12756.
- Power transmission via cast iron flexible coupling.

The motor is a 3-phase AC motor.

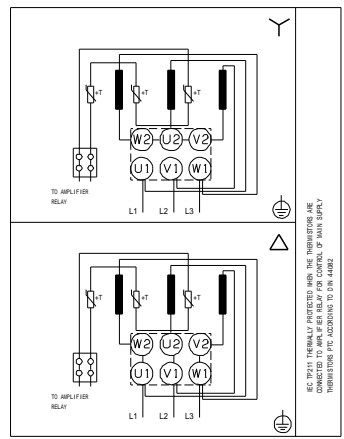
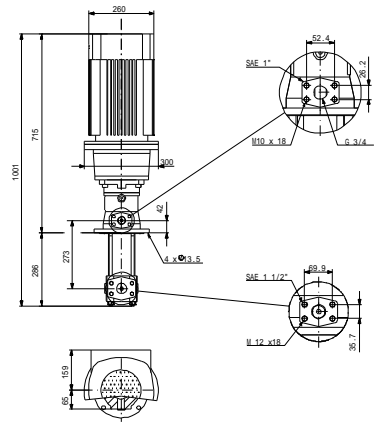
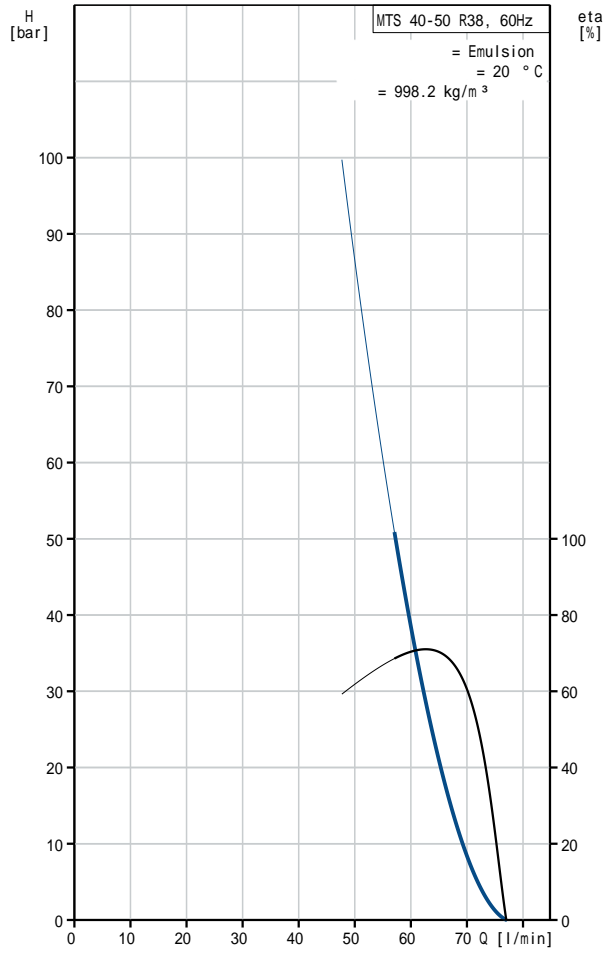
:	:	Emulsion
:	:	80 °C
:	:	20 °C
:	:	998.2 kg/m <sup>3</sup>
:	가	: 3500 rpm
1	:	57.3 l/min
가:	:	D8.6
:	:	CE,EAC
:	:	60 °C
:	:	50 bar
:	:	SAE 1 1/2"
:	:	G 3/4" / SAE 1"
:	:	0 mm
:	:	FF265
IE	:	132SB
	:	IE2 - IE3
	- P2:	7.5 kW
	(P2):	6.9 kW
	:	60 Hz
	:	3 x 220-277D/380-480Y V
	:	24,6-20,8/14,2-12,0 A
	:	680-1050 %
cos phi -	:	0.90-0.82
:	:	3490-3530 rpm

:	:	IE2 89,5% - IE3 90,2%
	:	89.5-90.2 %
3/4	:	90.8 %
1/2	:	90.8 %
:	:	2
(IEC 34-5):	:	55 Dust/Jetting
(IEC 85):	:	F
:	:	
:	:	84.7 kg

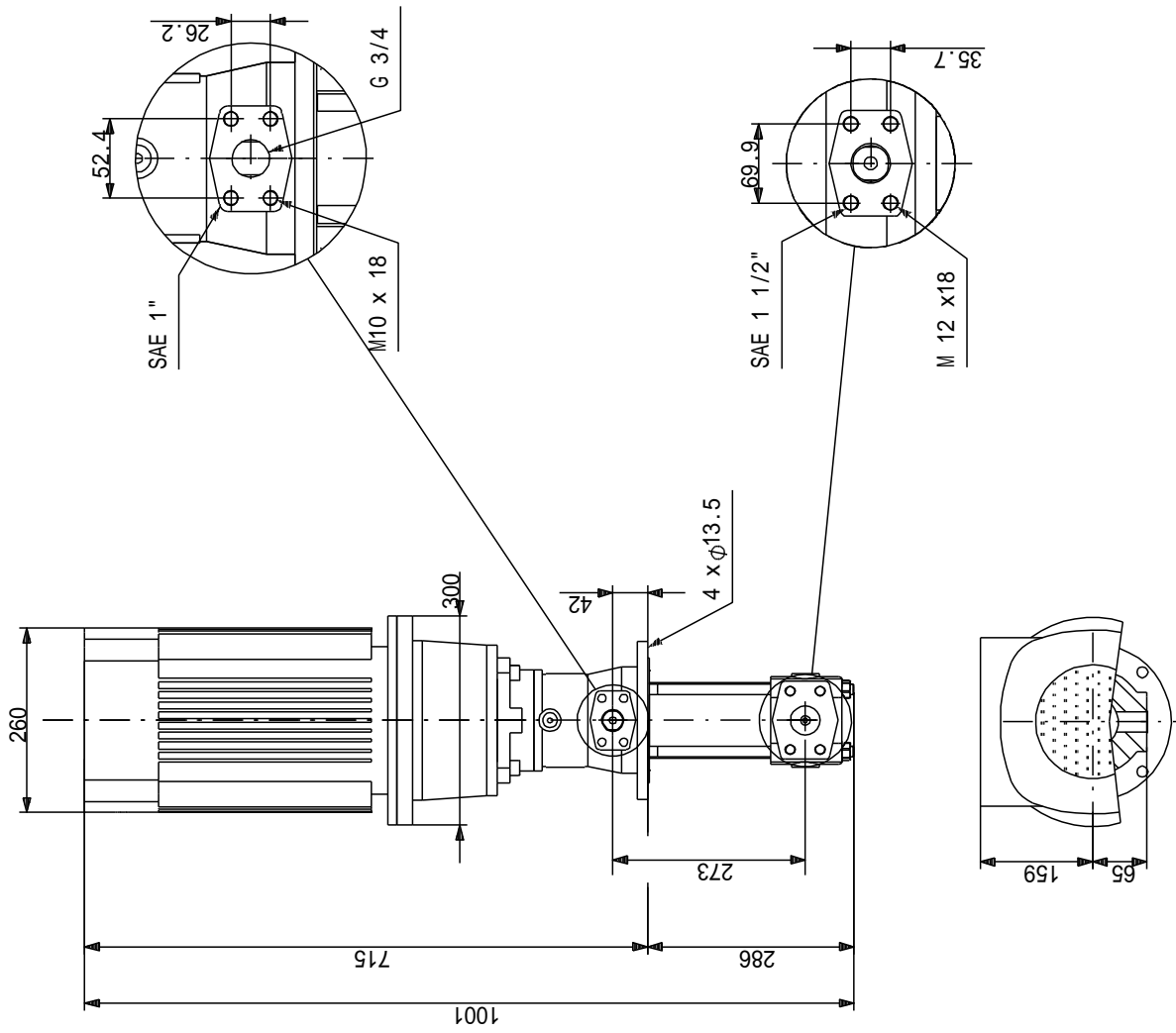
# MTS 40-50 R38 D8.6 60 Hz



MTS 40-50 R38 D8.6	
EAN	
가	3500 rpm
	57.3 l/min
1	D8.6
가:	CE, EAC
	A
	60 °C
	50 bar
	SAE 1 1/2"
	G 3/4" / SAE 1"
	0 mm
	FF265
	DRY
	Emulsion
	80 °C
	20 °C
	998.2 kg/m <sup>3</sup>
	132SB
IE	IE2 - IE3
- P2:	7.5 kW
(P2):	6.9 kW
	60 Hz
	3 x 220-277D/380-480Y V
	24,6-20,8/14,2-12,0 A
	680-1050 %
cos phi -	0.90-0.82
	3490-3530 rpm
	IE2 89,5% - IE3 90,2%
	89.5-90.2 %
3/4	90.8 %
1/2	90.8 %
	2
(IEC 34-5):	55 Dust/Jetting
(IEC 85):	F
	PTC
	87370230
Pos term	12 o'clock
	84.7 kg
	3 %
	38



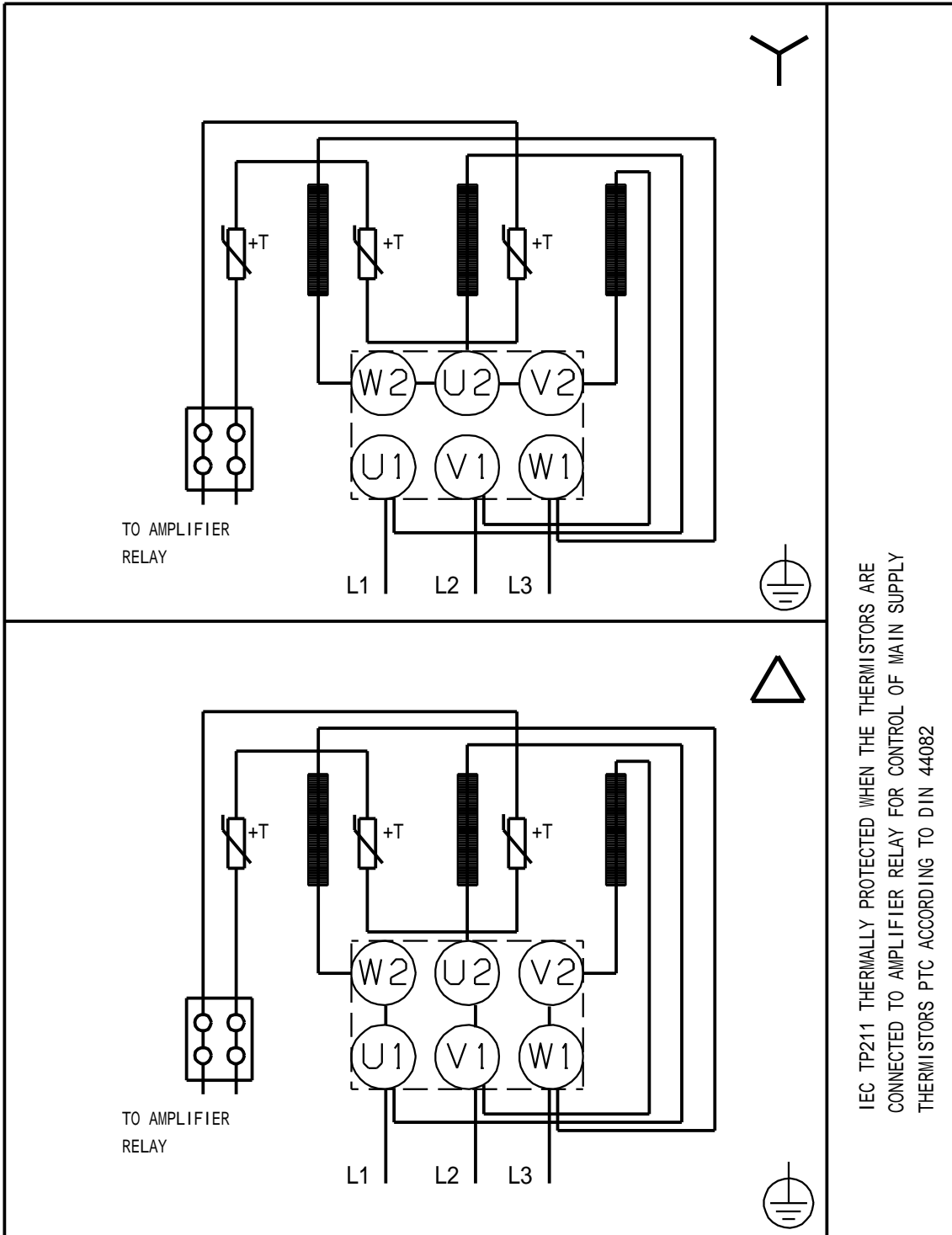
MTS 40-50 R38 D8.6 60 Hz



!

[mm]

MTS 40-50 R38 D8.6 60 Hz



IEC TP211 THERMALLY PROTECTED WHEN THE THERMISTORS ARE  
CONNECTED TO AMPLIFIER RELAY FOR CONTROL OF MAIN SUPPLY  
THERMISTORS PTC ACCORDING TO DIN 44082