

1 MTS 440-30 R40 D8.6



Screw spindle pump designed for pumping of cooling lubricants and cutting oils water/oil emulsion min. 3% for machine tool applications. The pump is designed to be mounted on top of tanks with pump immersed in the pumped liquid.

The pump has the following characteristics:

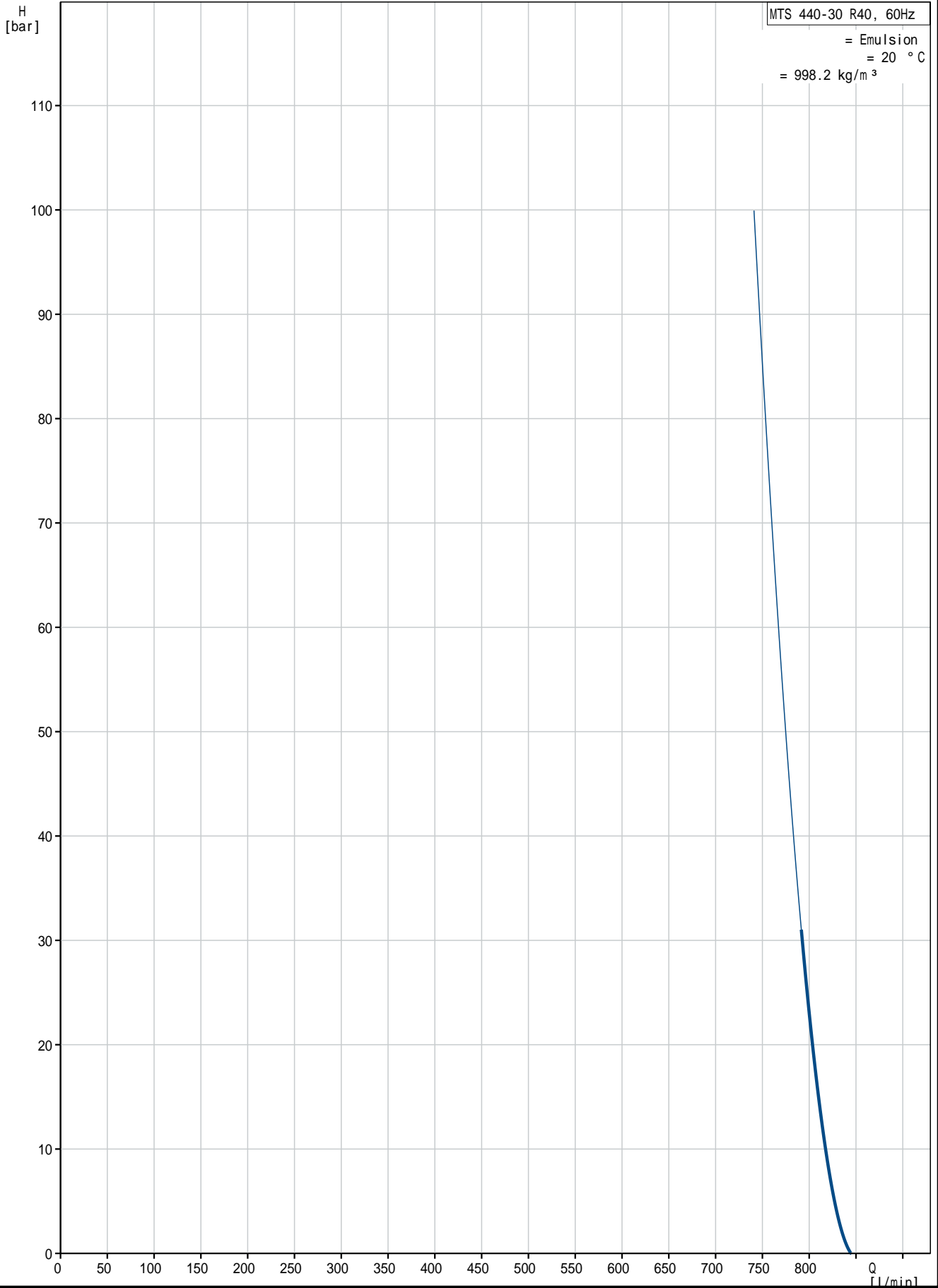
- High efficiency ensures very low heat input into the cooling lubricant.
- Axial thrust completely neutralised hydrostatically.
- Very wear resistant due specially hardened surfaces.
- D8.6 - mechanical shaft seal according to EN 12756.
- Power transmission via cast iron flexible coupling.

The motor is a 3-phase AC motor.

:	:	Emulsion
:	:	80 °C
:	:	20 °C
:	:	998.2 kg/m <sup>3</sup>
:	가	: 3500 rpm
1	:	793 l/min
가:	:	D8.6
:	:	CE
:	:	55 °C
:	:	30 bar
:	:	SAE 4"
:	:	SAE 3"
:	:	0 mm
:	:	FF500
IE	:	SIEMENS
	:	NEMA Premium / IE3 60Hz
	- P2:	55 kW
	(P2):	48 kW
	:	60 Hz
	:	3 x 380-420D/660-725Y V
	:	96,0-89,0/55,0-51,0 A
	:	730-730 %
cos phi -	:	0.90
:	:	3570 rpm
:	:	IE3 94,0%
	:	94.0-94.0 %
3/4	:	93.8-93.8 %
1/2	:	92.7-92.7 %
:	:	2

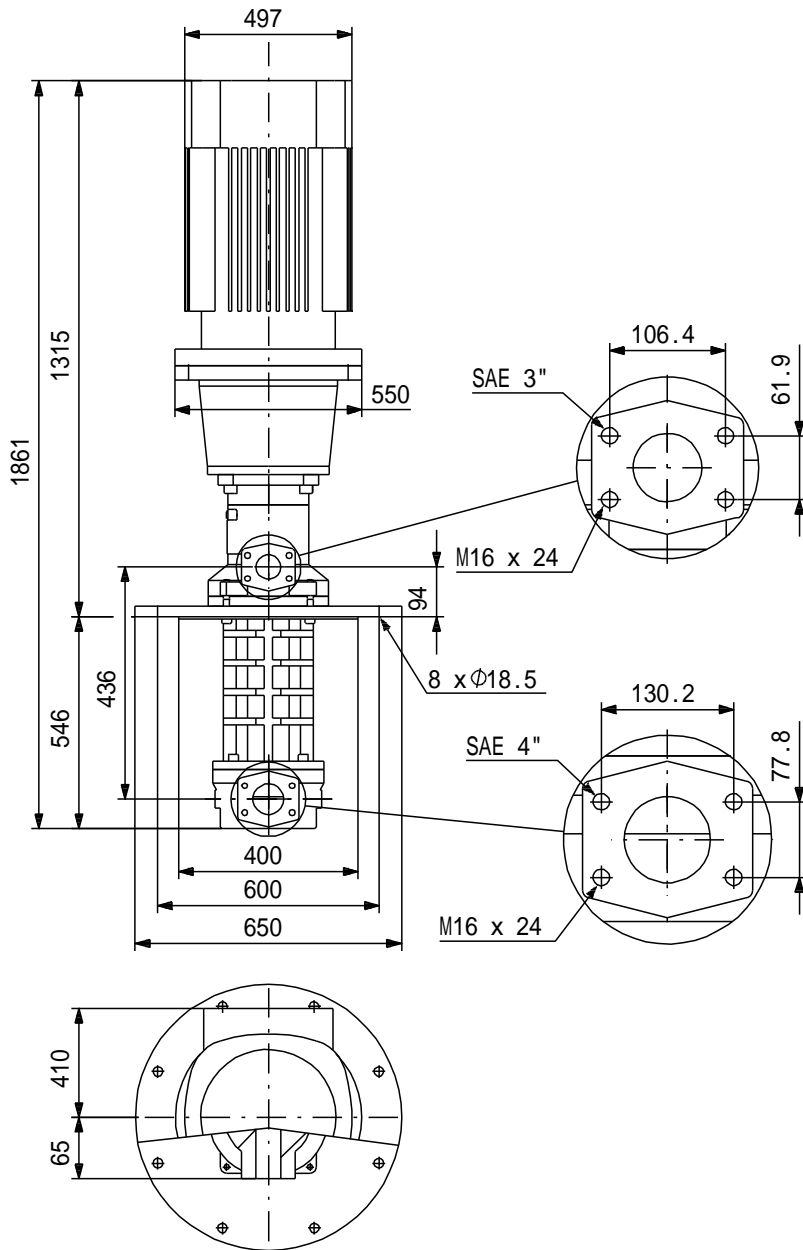


# MTS 440-30 R40 D8.6 60 Hz





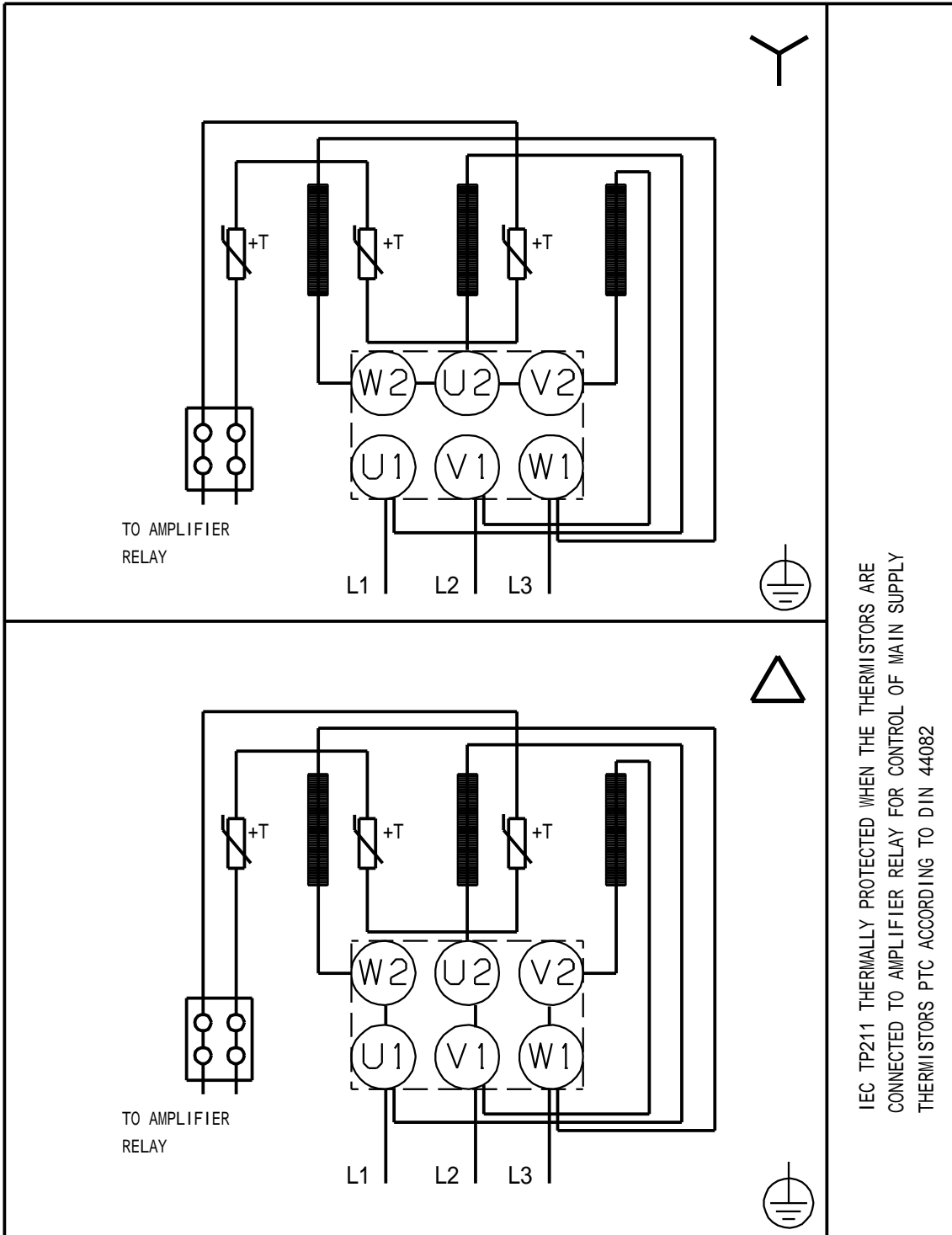
MTS 440-30 R40 D8.6 60 Hz



!

[mm]

MTS 440-30 R40 D8.6 60 Hz



!

[mm]