

1 MTS 280-60 R46 D8.6



Screw spindle pump designed for pumping of cooling lubricants and cutting oils water/oil emulsion min. 3% for machine tool applications. The pump is designed to be mounted on top of tanks with pump immersed in the pumped liquid.

The pump has the following characteristics:

- High efficiency ensures very low heat input into the cooling lubricant.
- Axial thrust completely neutralised hydrostatically.
- Very wear resistant due specially hardened surfaces.
- D8.6 - mechanical shaft seal according to EN 12756.
- Power transmission via cast iron flexible coupling.

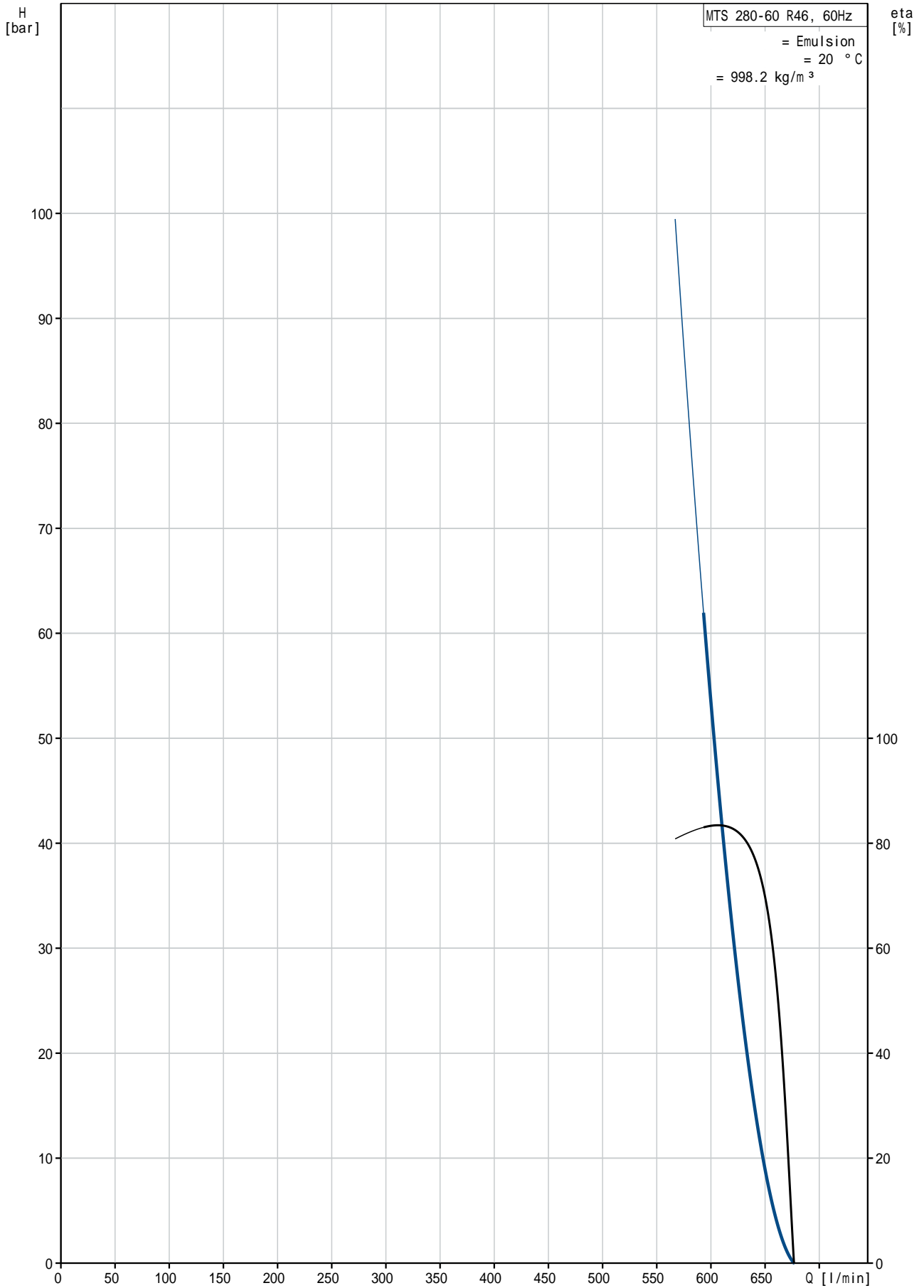
The motor is a 3-phase AC motor.

:	:	Emulsion
:	:	80 °C
:	:	20 °C
:	:	998.2 kg/m <sup>3</sup>
:	가	: 3500 rpm
1	:	595 l/min
가:	:	D8.6
:	:	CE, EAC
:	:	55 °C
:	:	60 bar
:	:	SAE 3"
:	:	SAE 2 1/2"
:	:	0 mm
:	:	FF500
IE	:	SIEMENS
- P2:	:	NEMA Energy / IE2 60Hz / NRC
(P2):	:	90 kW
:	:	71.5 kW
:	:	60 Hz
:	:	3 x 380-420D/660-725Y V
:	:	161-145/93,0-84,0 A
cos phi -	:	780-780 %
:	:	0.90
:	:	3566 rpm
:	:	IE2 94,5%
3/4	:	94.5-94.5 %
1/2	:	94.2-94.2 %
:	:	93.2-93.2 %
:	:	2

(IEC 34-5): 55 Dust/Jetting  
(IEC 85): F

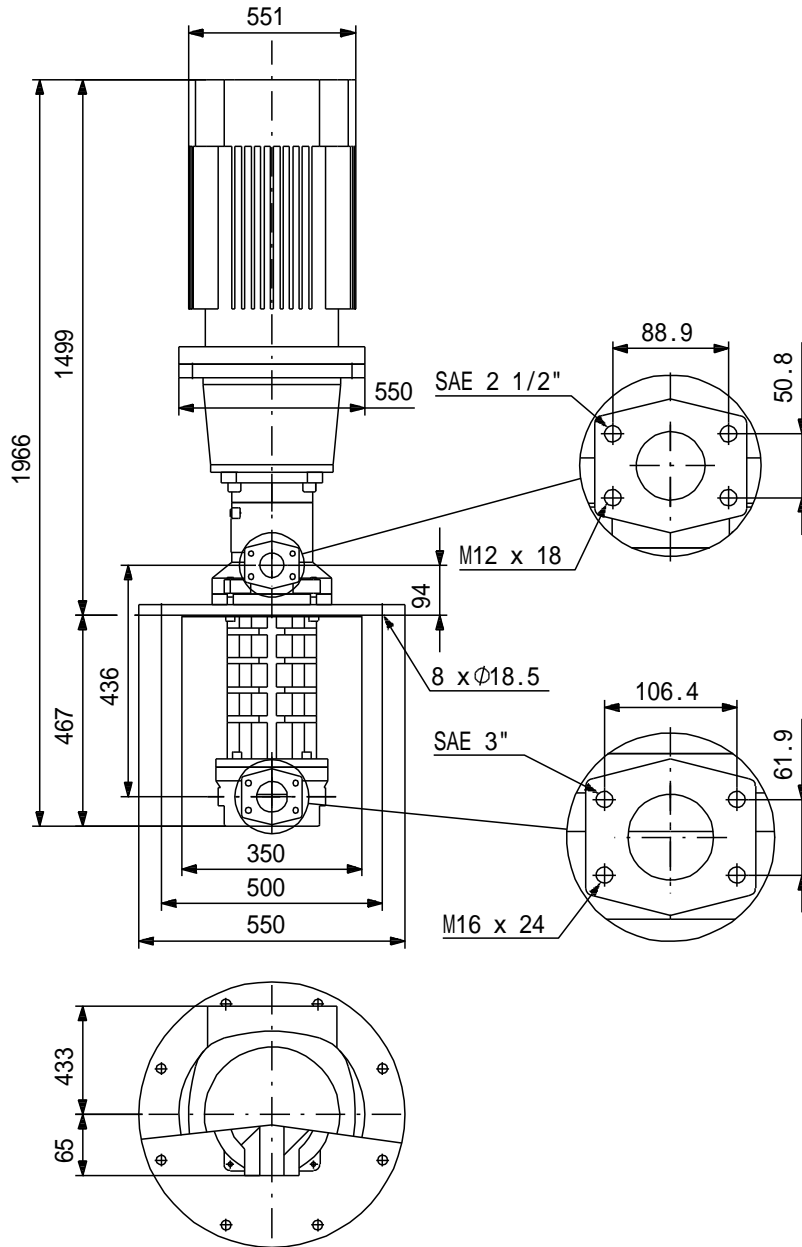
:  
: 795 kg

# MTS 280-60 R46 D8.6 60 Hz





MTS 280-60 R46 D8.6 60 Hz



!

[mm]

MTS 280-60 R46 D8.6 60 Hz



IEC TP211 THERMALLY PROTECTED WHEN THE THERMISTORS ARE  
CONNECTED TO AMPLIFIER RELAY FOR CONTROL OF MAIN SUPPLY  
THERMISTORS PTC ACCORDING TO DIN 44082