

1 MTS 280-30 R43 D8.6



Screw spindle pump designed for pumping of cooling lubricants and cutting oils water/oil emulsion min. 3% for machine tool applications. The pump is designed to be mounted on top of tanks with pump immersed in the pumped liquid.

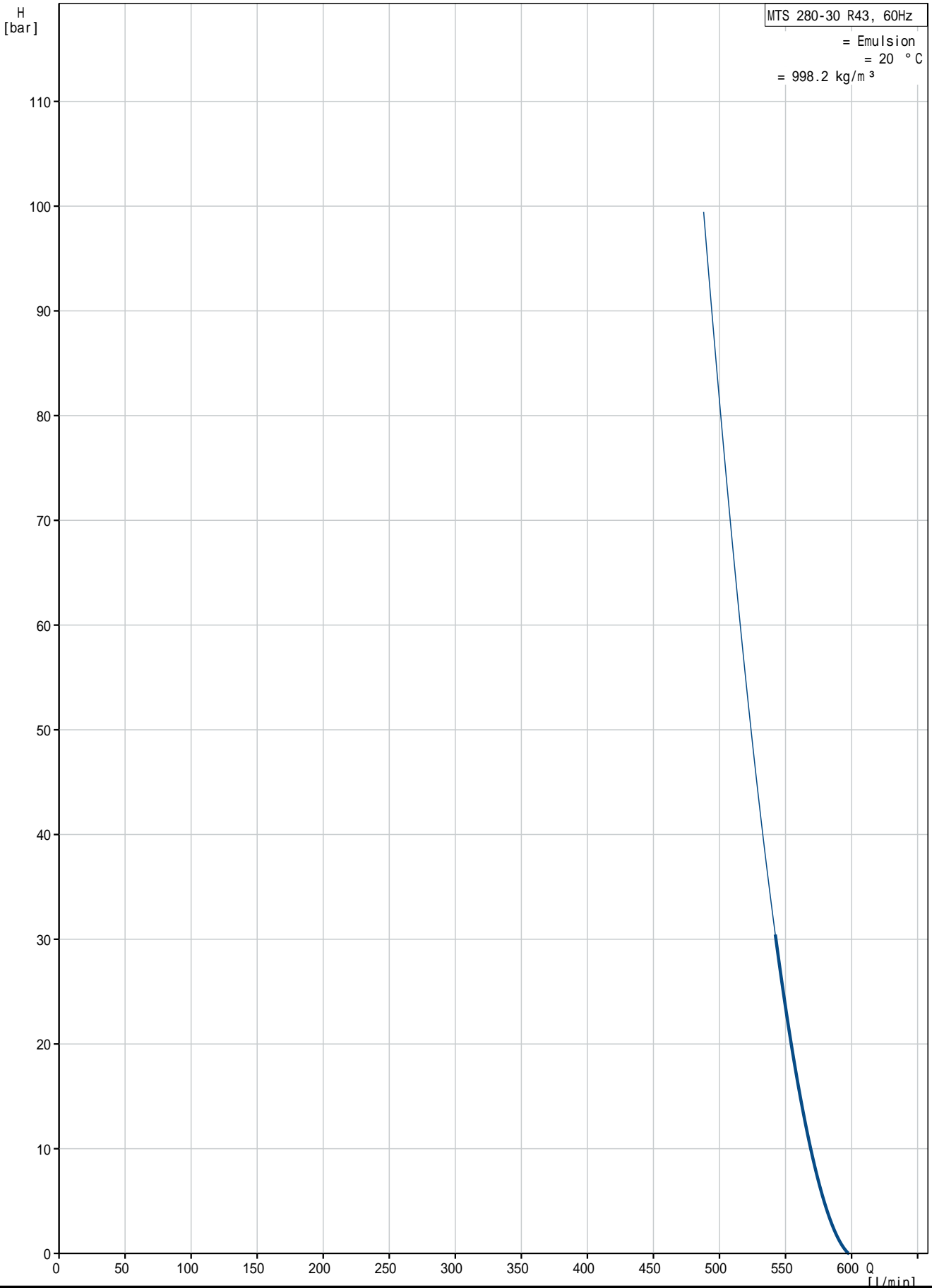
The pump has the following characteristics:

- High efficiency ensures very low heat input into the cooling lubricant.
- Axial thrust completely neutralised hydrostatically.
- Very wear resistant due specially hardened surfaces.
- D8.6 - mechanical shaft seal according to EN 12756.
- Power transmission via cast iron flexible coupling.

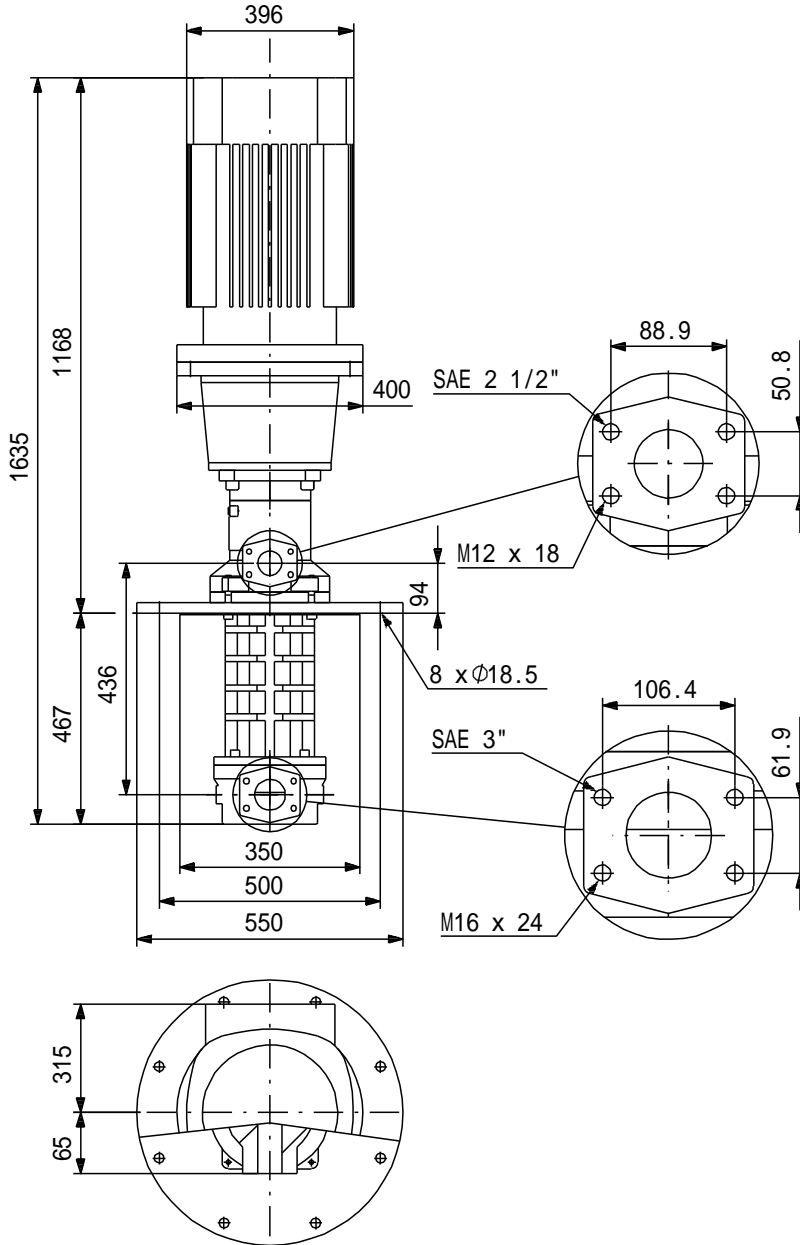
The motor is a 3-phase AC motor.

:	:	Emulsion
:	:	80 °C
:	:	20 °C
:	:	998.2 kg/m ³
:	가	: 3500 rpm
1	:	543 l/min
가:	:	D8.6
:	:	CE
:	:	55 °C
:	:	30 bar
:	:	SAE 3"
:	:	SAE 2 1/2"
:	:	0 mm
:	:	FF350
IE	:	SIEMENS
- P2:	:	NEMA Premium / IE3 60Hz
(P2):	:	37 kW
:	:	33.7 kW
:	:	60 Hz
:	:	3 x 380-420D/660-725Y V
:	:	69,0-62,0/38,5-35,0 A
cos phi -	:	580-580 %
:	:	0.90
:	:	3540 rpm
:	:	IE3 93,0%
3/4	:	93.0-93.0 %
1/2	:	93.3-93.3 %
:	:	92.7-92.7 %
:	:	2

MTS 280-30 R43 D8.6 60 Hz



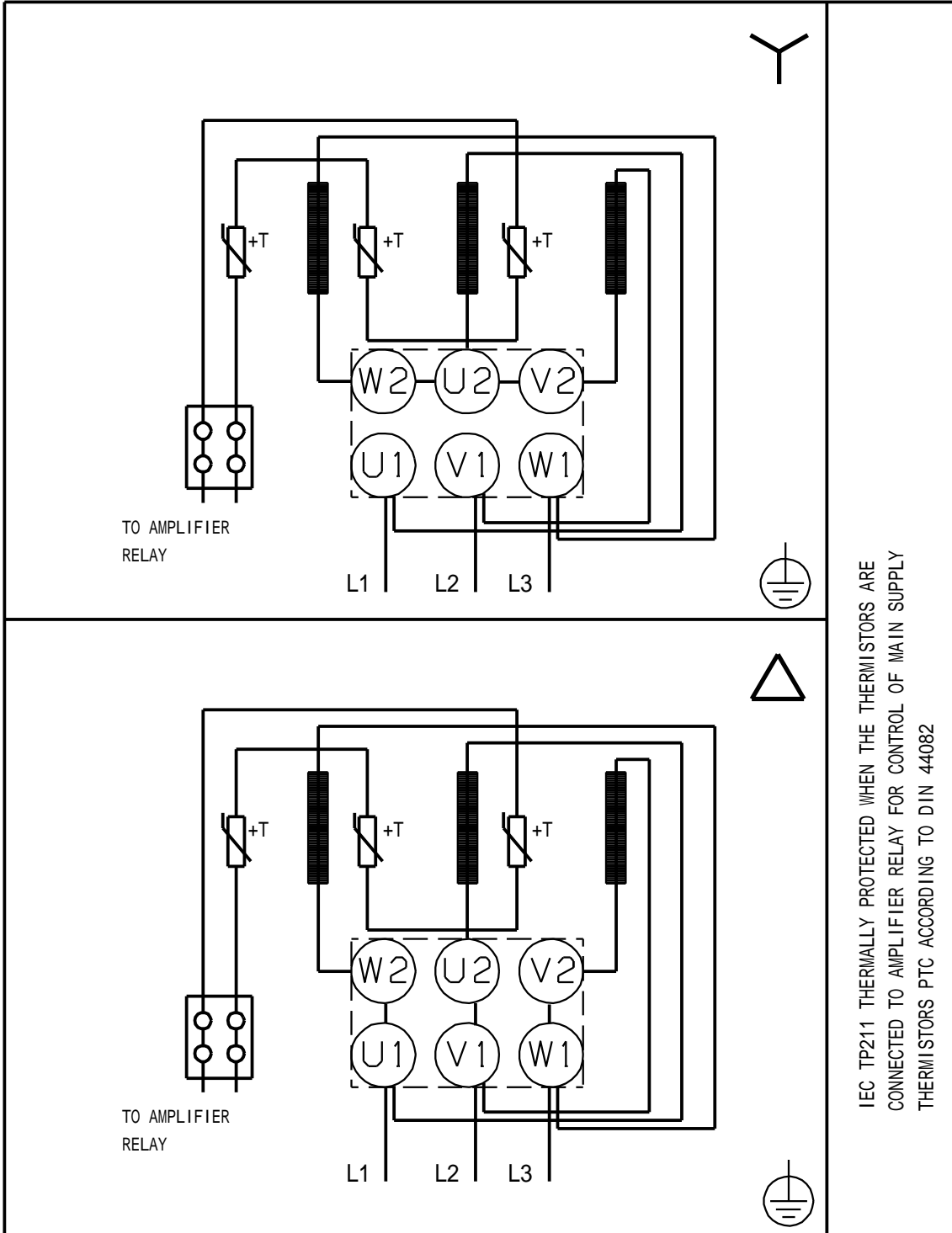
MTS 280-30 R43 D8.6 60 Hz



!

[mm]

MTS 280-30 R43 D8.6 60 Hz



IEC TP211 THERMALLY PROTECTED WHEN THE THERMISTORS ARE
CONNECTED TO AMPLIFIER RELAY FOR CONTROL OF MAIN SUPPLY
THERMISTORS PTC ACCORDING TO DIN 44082