

1 MTS 210-60 R46 D8.6



Screw spindle pump designed for pumping of cooling lubricants and cutting oils water/oil emulsion min. 3% for machine tool applications. The pump is designed to be mounted on top of tanks with pump immersed in the pumped liquid.

The pump has the following characteristics:

- High efficiency ensures very low heat input into the cooling lubricant.
- Axial thrust completely neutralised hydrostatically.
- Very wear resistant due specially hardened surfaces.
- D8.6 - mechanical shaft seal according to EN 12756.
- Power transmission via cast iron flexible coupling.

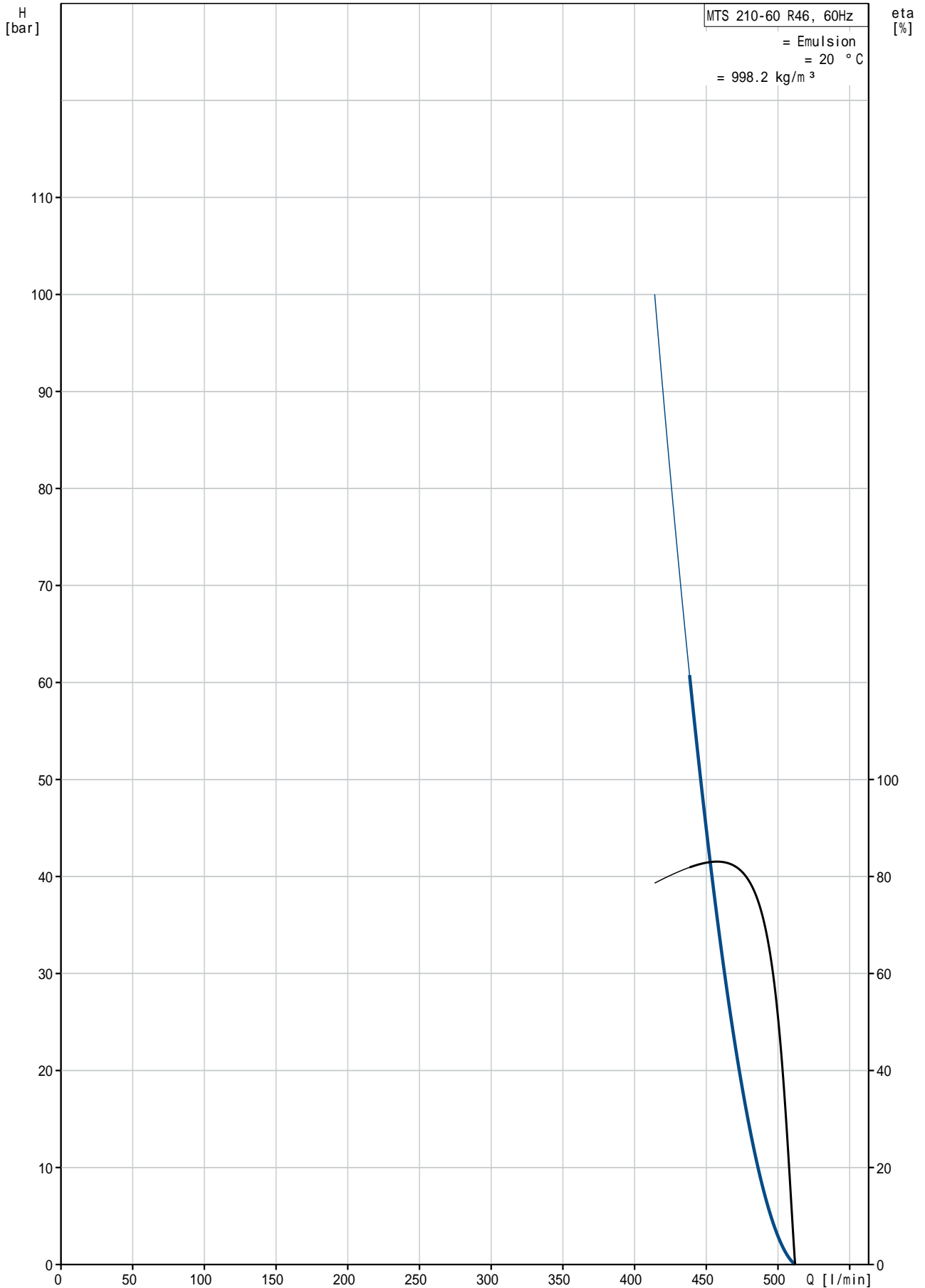
The motor is a 3-phase AC motor.

:	:	Emulsion
:	:	80 °C
:	:	20 °C
:	:	998.2 kg/m ³
:	가	: 3500 rpm
1	:	439 l/min
가:	:	D8.6
:	:	CE, EAC
:	:	55 °C
:	:	60 bar
:	:	SAE 2 1/2"
:	:	SAE 2"
:	:	0 mm
:	:	FF500
IE	:	SIEMENS
	:	NEMA Premium / IE3 60Hz
	- P2:	75 kW
	(P2):	53.5 kW
	:	60 Hz
	:	3 x 380-420D/660-725Y V
	:	135-122/79,0-70,0 A
	:	740-740 %
cos phi -	:	0.90
	:	3565 rpm
	:	IE3 94,1%
	:	94.1-94.1 %
3/4	:	93.6-93.6 %
1/2	:	92.4-92.4 %
	:	2

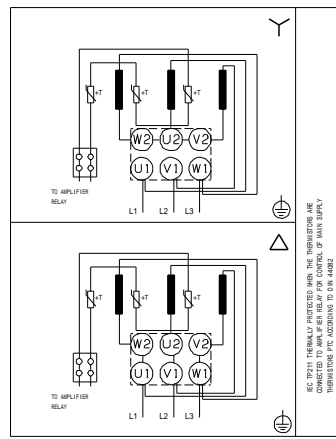
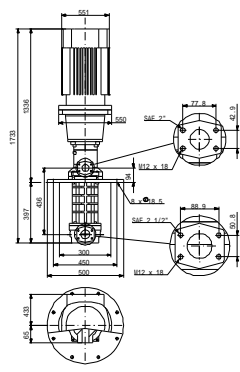
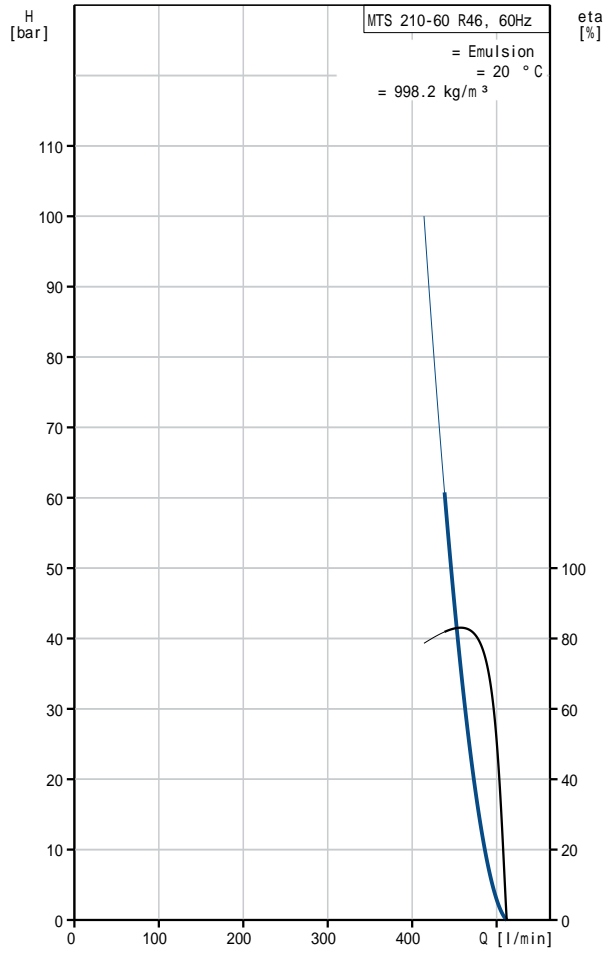
(IEC 34-5): 55 Dust/Jetting
(IEC 85): F

:
: 658 kg

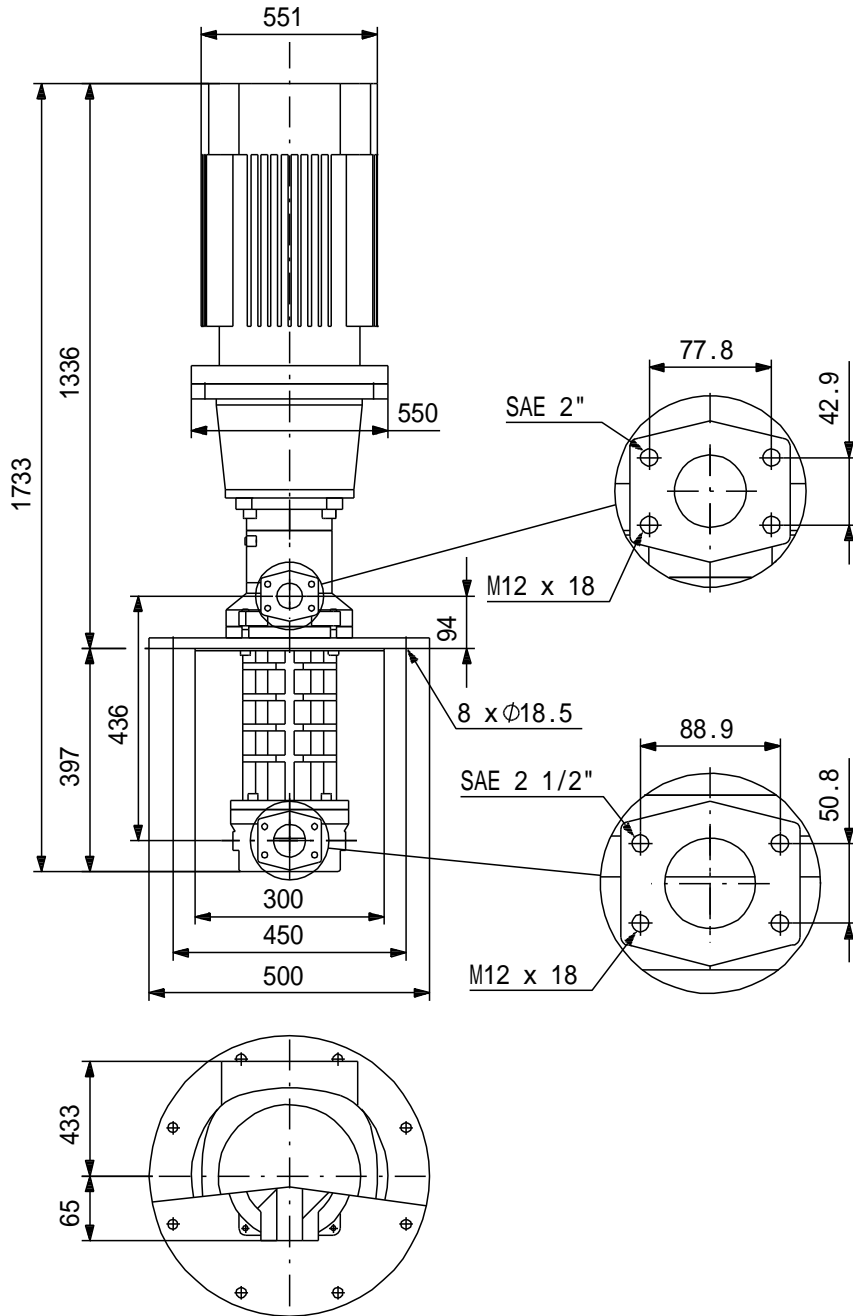
MTS 210-60 R46 D8.6 60 Hz



MTS 210-60 R46 D8.6	
EAN	
가	3500 rpm
	439 l/min
1	D8.6
가:	CE, EAC
	A
	55 °C
	60 bar
	SAE 2 1/2"
	SAE 2"
	0 mm
	FF500
	Emulsion
	80 °C
	20 °C
	998.2 kg/m ³
	SIEMENS
IE	NEMA Premium / IE3 60Hz
- P2:	75 kW
(P2):	53.5 kW
	60 Hz
	3 x 380-420D/660-725Y V
	135-122/79,0-70,0 A
	740-740 %
cos phi -	0.90
	3565 rpm
	IE3 94,1%
	94.1-94.1 %
3/4	93.6-93.6 %
1/2	92.4-92.4 %
	2
(IEC 34-5):	55 Dust/Jetting
(IEC 85):	F
	PTC
	83U15240
Pos term	12 o'clock
	658 kg
	3 %
	46



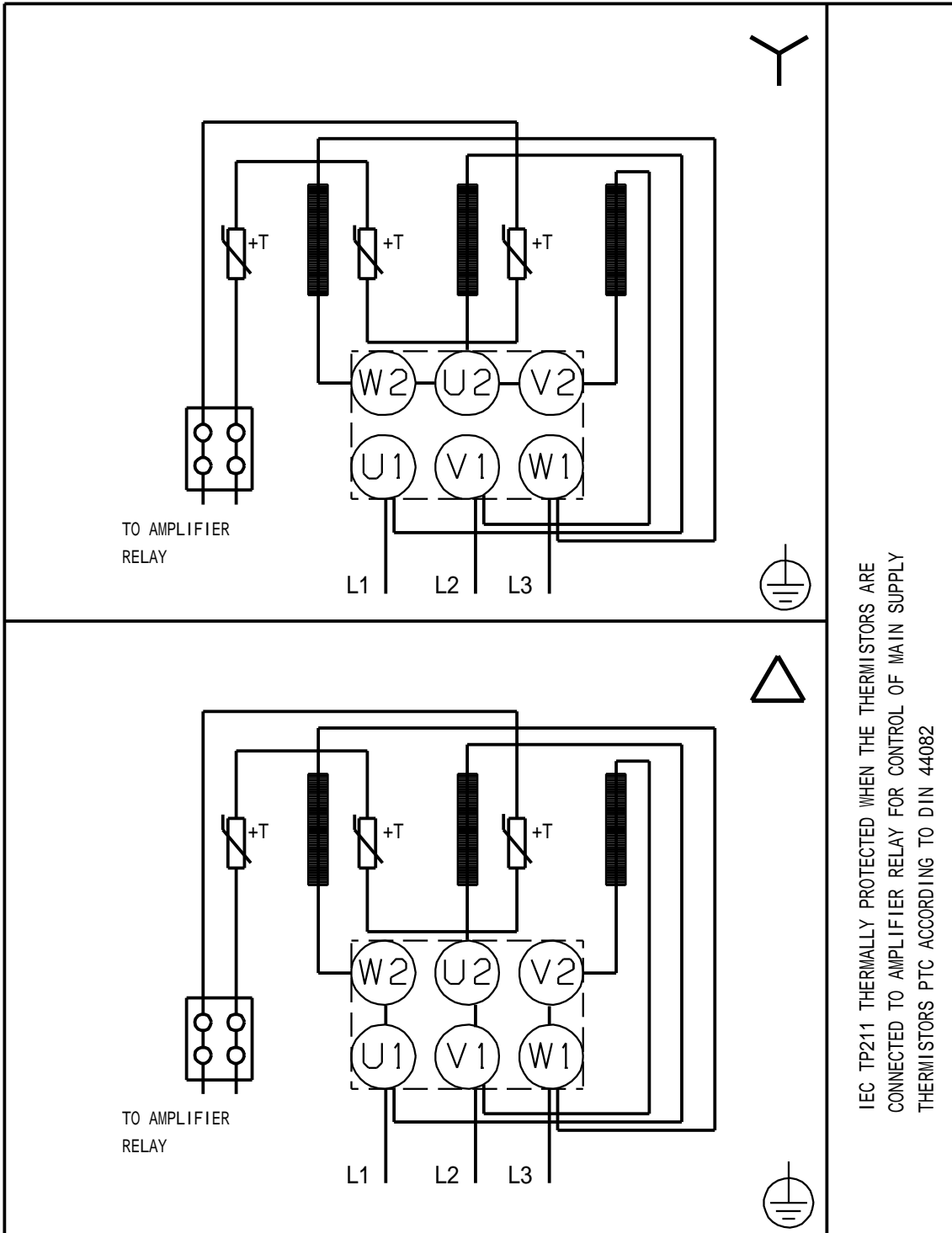
MTS 210-60 R46 D8.6 60 Hz



!

[mm]

MTS 210-60 R46 D8.6 60 Hz



IEC TP211 THERMALLY PROTECTED WHEN THE THERMISTORS ARE
CONNECTED TO AMPLIFIER RELAY FOR CONTROL OF MAIN SUPPLY
THERMISTORS PTC ACCORDING TO DIN 44082