

1 MTS 140-90 R46 D8.6



Screw spindle pump designed for pumping of cooling lubricants and cutting oils water/oil emulsion min. 3% for machine tool applications. The pump is designed to be mounted on top of tanks with pump immersed in the pumped liquid.

The pump has the following characteristics:

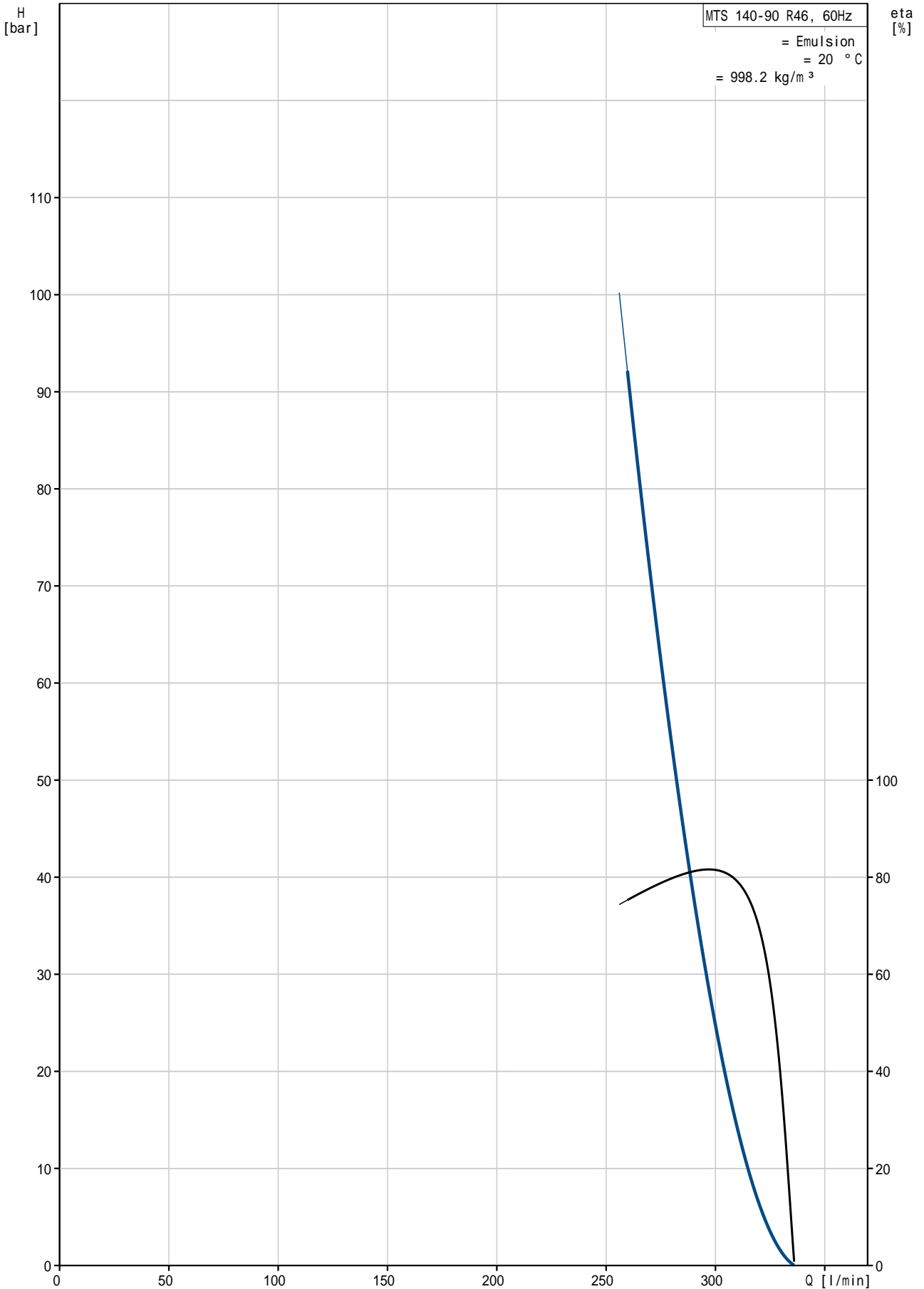
- High efficiency ensures very low heat input into the cooling lubricant.
- Axial thrust completely neutralised hydrostatically.
- Very wear resistant due specially hardened surfaces.
- D8.6 - mechanical shaft seal according to EN 12756.
- Power transmission via cast iron flexible coupling.

The motor is a 3-phase AC motor.

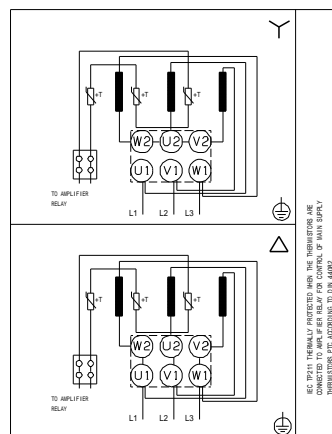
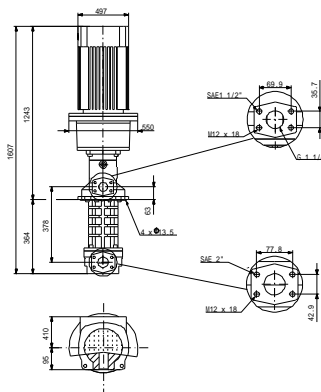
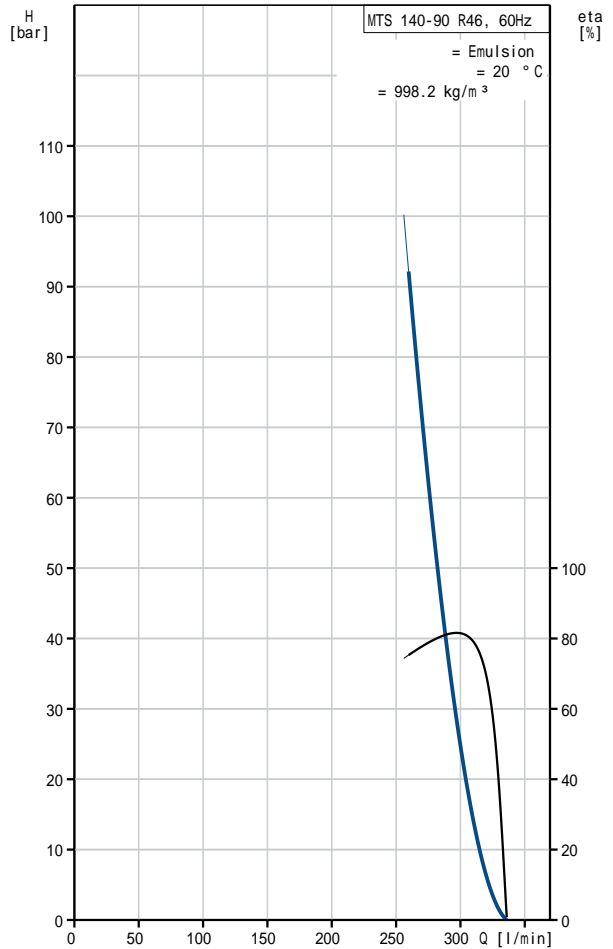
:	:	Emulsion
:	:	80 °C
:	:	20 °C
:	:	998.2 kg/m ³
:	:	
:	가	: 3500 rpm
:	:	261 l/min
1	:	D8.6
:	가:	CE
:	:	
:	:	55 °C
:	:	90 bar
:	:	SAE 2"
:	:	G 1 1/4" / SAE 1 1/2"
:	:	0 mm
:	:	FF500
:	:	
IE	:	SIEMENS
:	:	NEMA Premium / IE3 60Hz
- P2:	:	55 kW
(P2):	:	51.7 kW
:	:	60 Hz
:	:	3 x 380-420D/660-725Y V
:	:	96,0-89,0/55,0-51,0 A
:	:	730-730 %
cos phi -	:	0.90
:	:	3570 rpm

:	:	IE3 94,0%
	:	94.0-94.0 %
3/4	:	93.8-93.8 %
1/2	:	92.7-92.7 %
:	:	2
(IEC 34-5):	:	55 Dust/Jetting
(IEC 85):	:	F
:	:	
:	:	500 kg

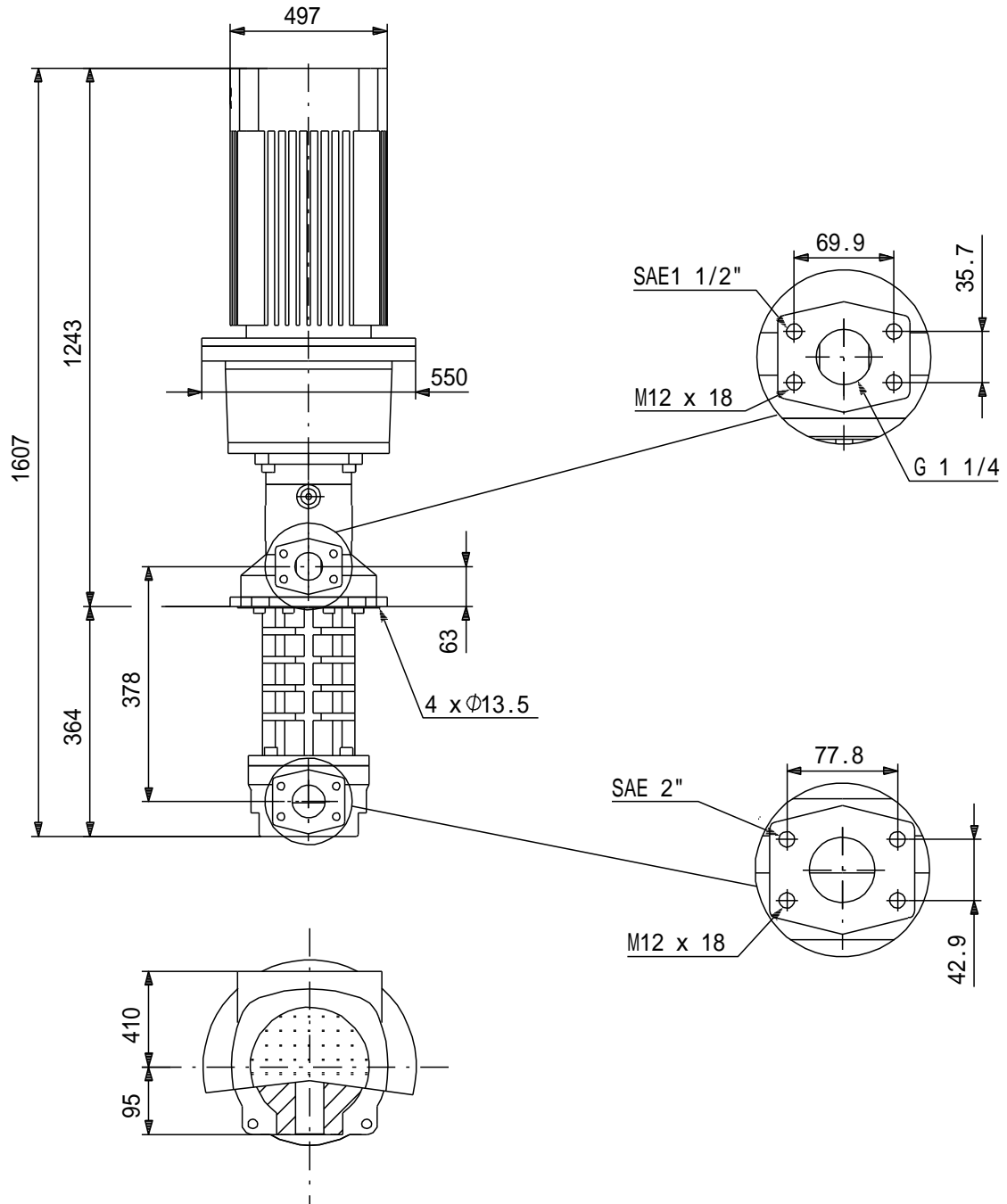
MTS 140-90 R46 D8.6 60 Hz



MTS 140-90 R46 D8.6	
EAN	
가	3500 rpm
	261 l/min
1	D8.6
가:	CE
	A
	55 °C
	90 bar
	SAE 2"
	G 1 1/4" / SAE 1 1/2"
	0 mm
	FF500
	DRY
	Emulsion
	80 °C
	20 °C
	998.2 kg/m ³
	SIEMENS
IE	NEMA Premium / IE3 60Hz
- P2:	55 kW
(P2):	51.7 kW
	60 Hz
	3 x 380-420D/660-725Y V
	96,0-89,0/55,0-51,0 A
	730-730 %
cos phi -	0.90
	3570 rpm
	IE3 94,0%
	94.0-94.0 %
3/4	93.8-93.8 %
1/2	92.7-92.7 %
	2
(IEC 34-5):	55 Dust/Jetting
(IEC 85):	F
	PTC
	83U15238
Pos term	12 o'clock
	500 kg
	3 %
	46



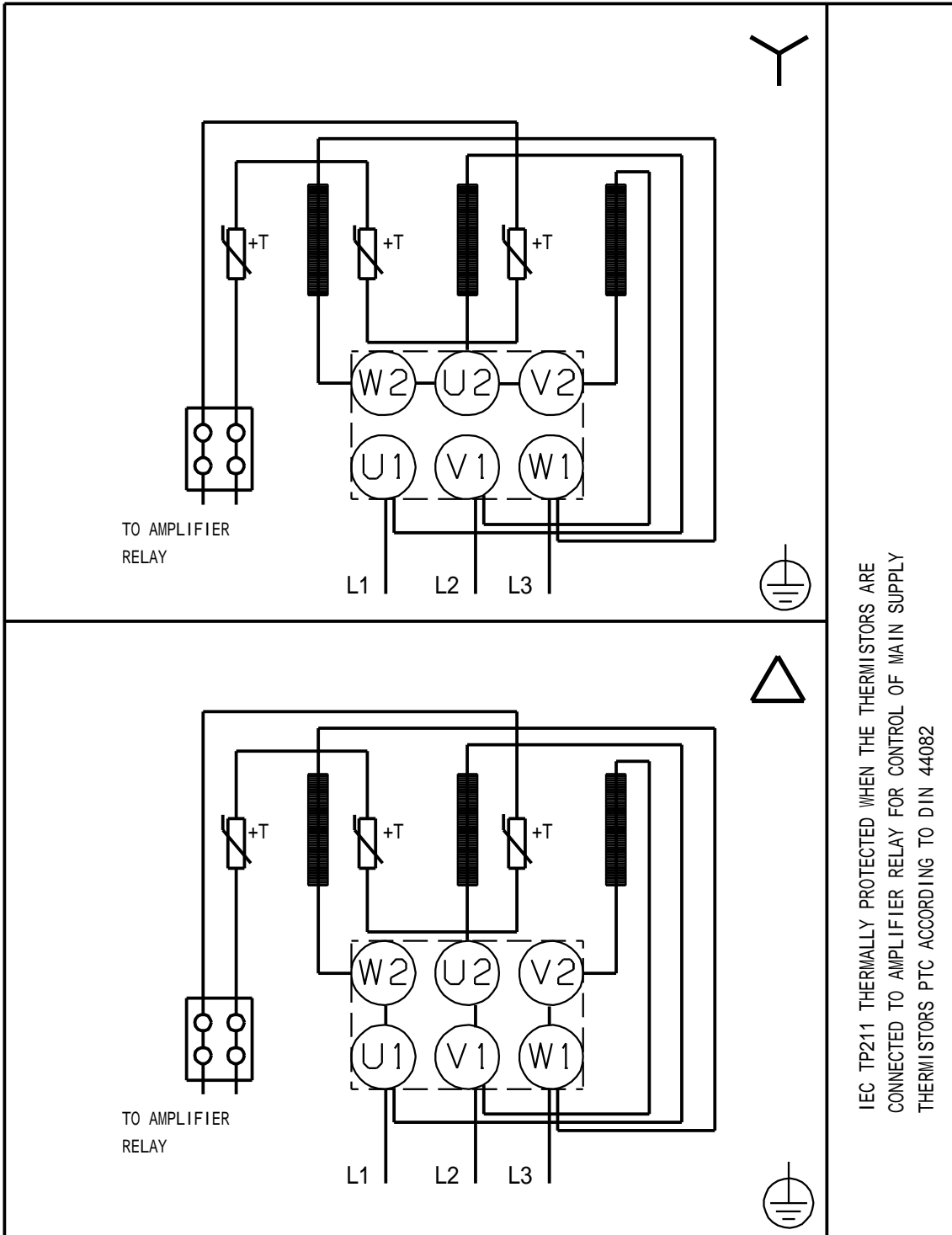
MTS 140-90 R46 D8.6 60 Hz



!

[mm]

MTS 140-90 R46 D8.6 60 Hz



IEC TP211 THERMALLY PROTECTED WHEN THE THERMISTORS ARE
CONNECTED TO AMPLIFIER RELAY FOR CONTROL OF MAIN SUPPLY
THERMISTORS PTC ACCORDING TO DIN 44082