

1 MTS 140-90 R46 DQ



Screw spindle pump designed for pumping of cooling lubricants and cutting oils water/oil emulsion min. 3% for machine tool applications. The pump is designed to be mounted on top of tanks with pump immersed in the pumped liquid.

The pump has the following characteristics:

- High efficiency ensures very low heat input into the cooling lubricant.
- Axial thrust completely neutralised hydrostatically.
- Very wear resistant due specially hardened surfaces.
- DQ - shaft seal ring.
- Power transmission via cast iron flexible coupling.

The motor is a 3-phase AC motor.

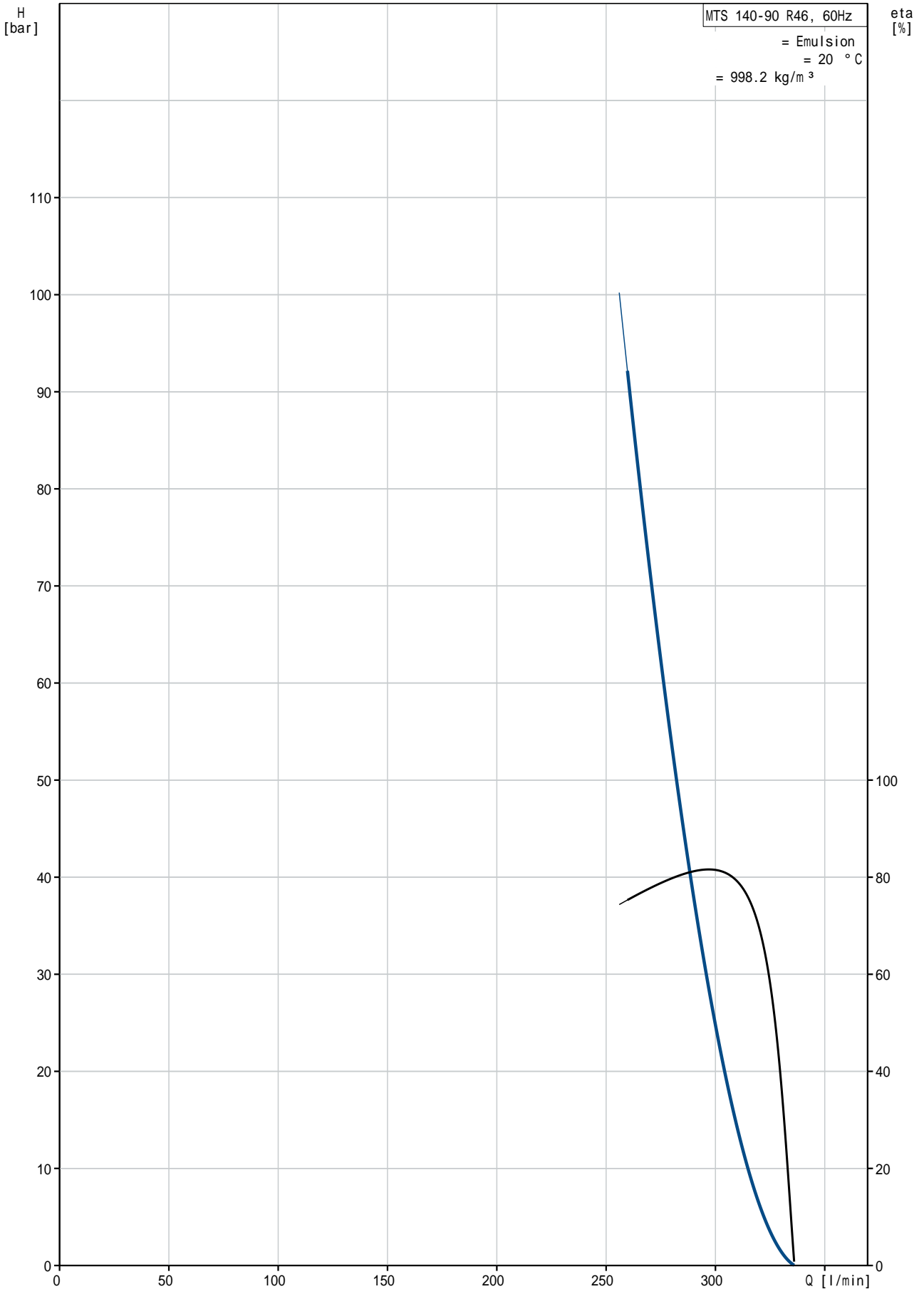
:	:	Emulsion
:	:	80 °C
:	:	20 °C
:	:	998.2 kg/m ³
:	가	: 3500 rpm
1	:	261 l/min
가:	:	DQ
:	:	CE
:	:	55 °C
:	:	90 bar
:	:	G2"
:	:	G 1 1/4" / SAE 1 1/2"
:	:	386 mm
:	:	FF500
IE	:	SIEMENS
- P2:	:	NEMA Premium / IE3 60Hz
(P2):	:	55 kW
:	:	51.7 kW
:	:	60 Hz
:	:	3 x 380-420D/660-725Y V
:	:	96,0-89,0/55,0-51,0 A
cos phi -	:	730-730 %
:	:	0.90
:	:	3570 rpm
:	:	IE3 94,0%
3/4	:	94.0-94.0 %
1/2	:	93.8-93.8 %
:	:	92.7-92.7 %
:	:	2
(IEC 34-5):	:	55 Dust/Jetting

(IEC 85): F

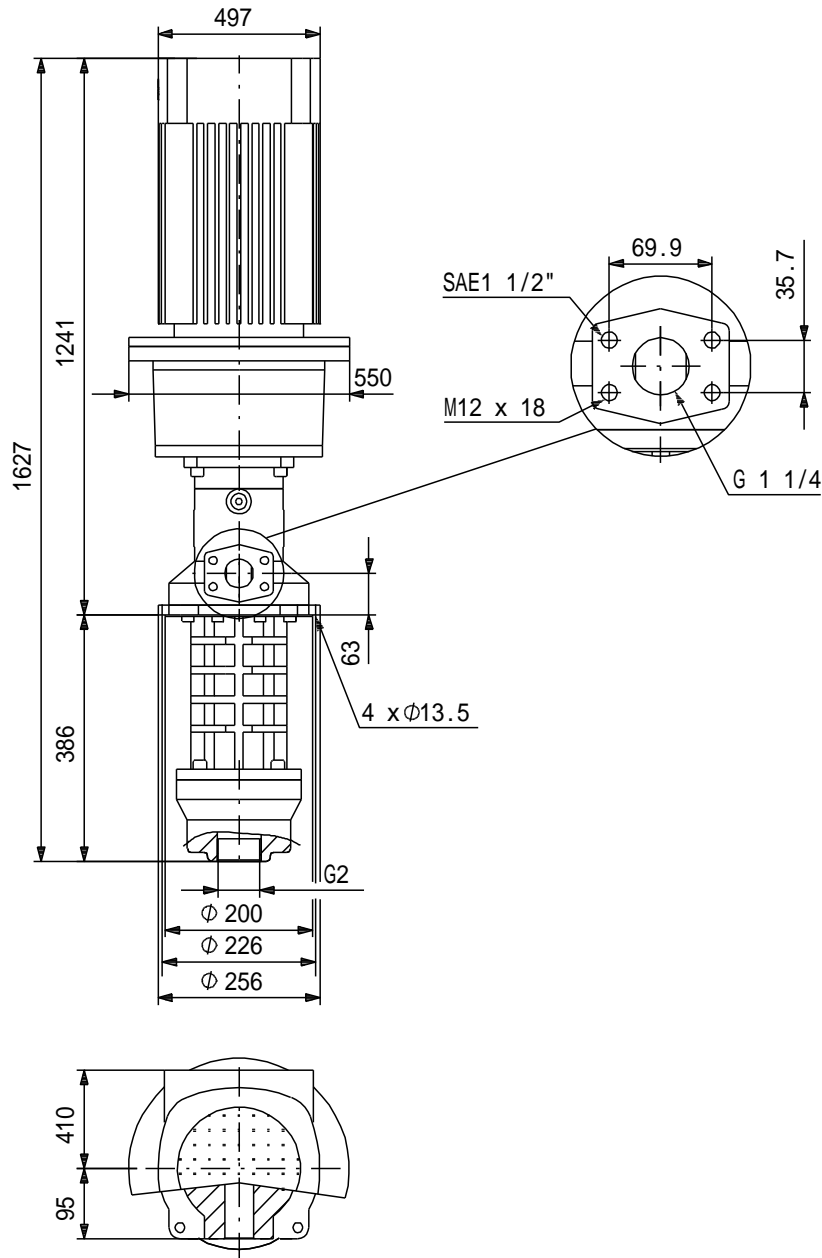
:

: 500 kg

MTS 140-90 R46 DQ 60 Hz



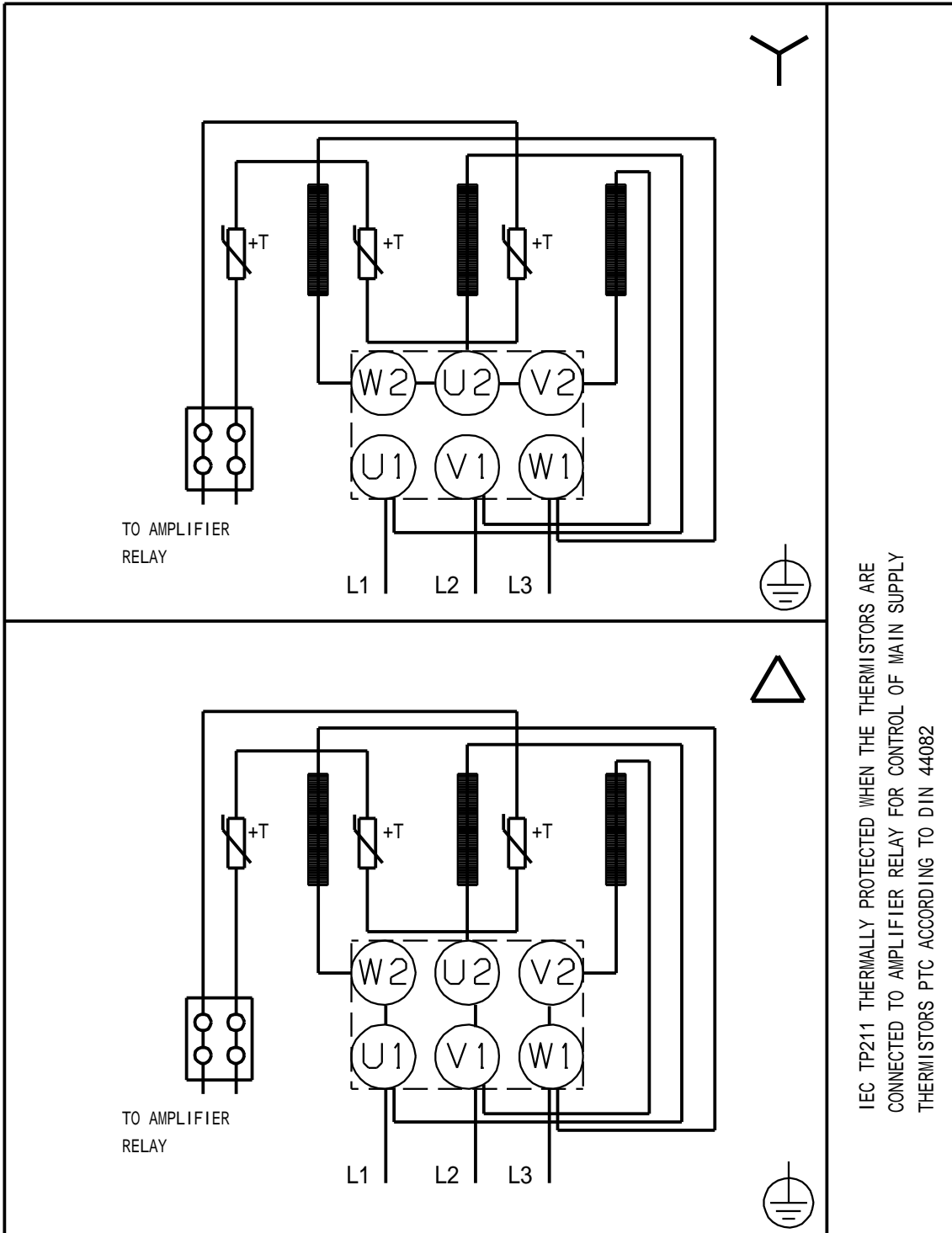
MTS 140-90 R46 DQ 60 Hz



!

[mm]

MTS 140-90 R46 DQ 60 Hz



IEC TP211 THERMALLY PROTECTED WHEN THE THERMISTORS ARE CONNECTED TO AMPLIFIER RELAY FOR CONTROL OF MAIN SUPPLY THERMISTORS PTC ACCORDING TO DIN 44082