

1 MTS 80-70 R46 D8.6



Screw spindle pump designed for pumping of cooling lubricants and cutting oils water/oil emulsion min. 3% for machine tool applications. The pump is designed to be mounted on top of tanks with pump immersed in the pumped liquid.

The pump has the following characteristics:

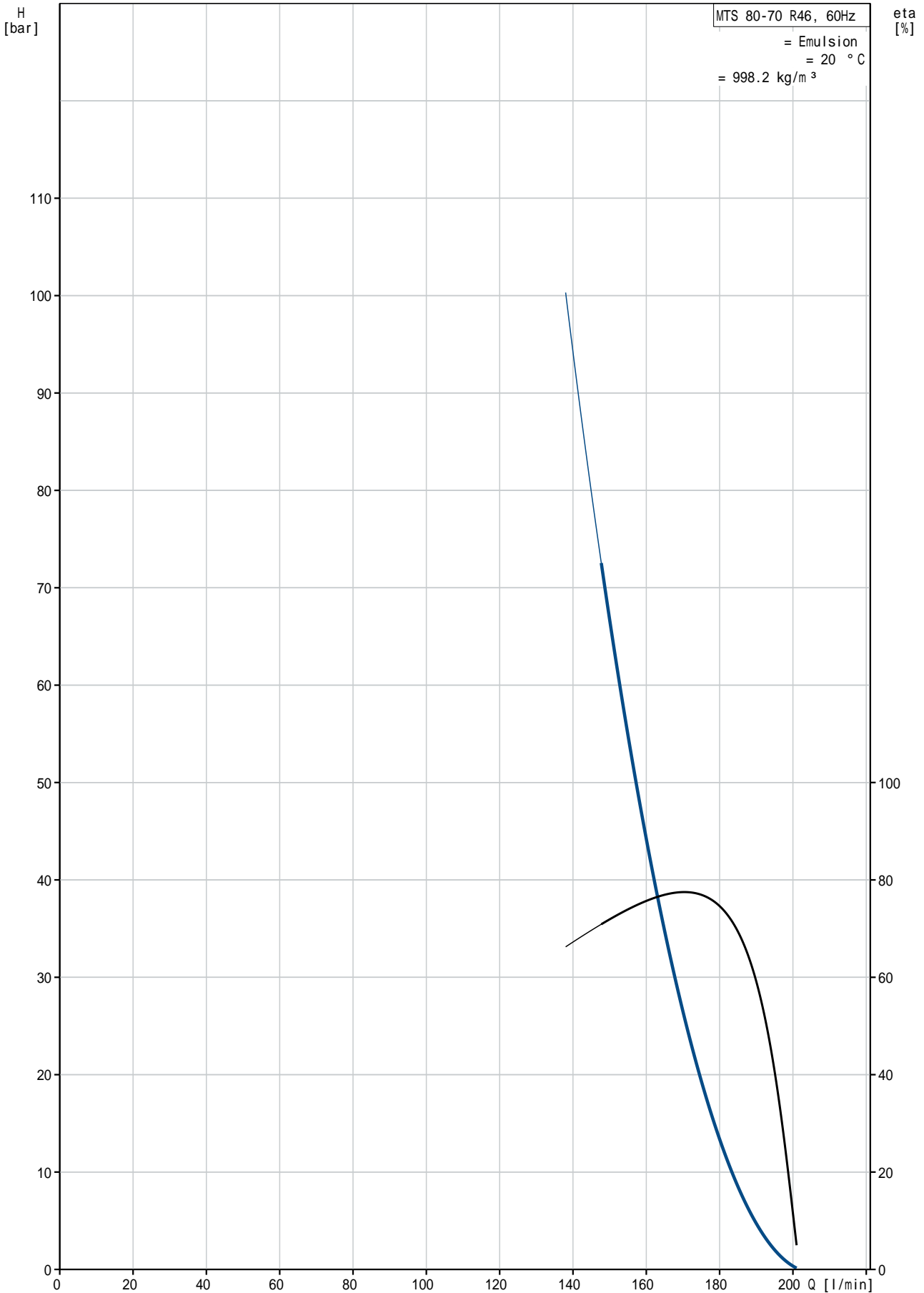
- High efficiency ensures very low heat input into the cooling lubricant.
- Axial thrust completely neutralised hydrostatically.
- Very wear resistant due specially hardened surfaces.
- D8.6 - mechanical shaft seal according to EN 12756.
- Power transmission via cast iron flexible coupling.

The motor is a 3-phase AC motor.

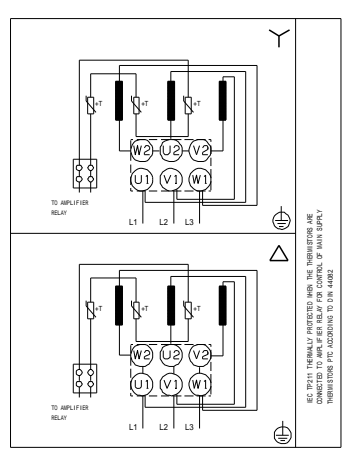
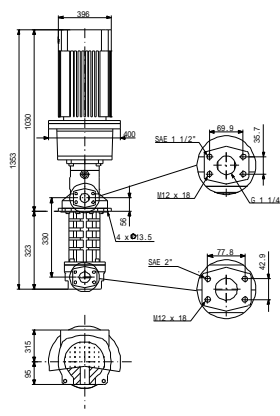
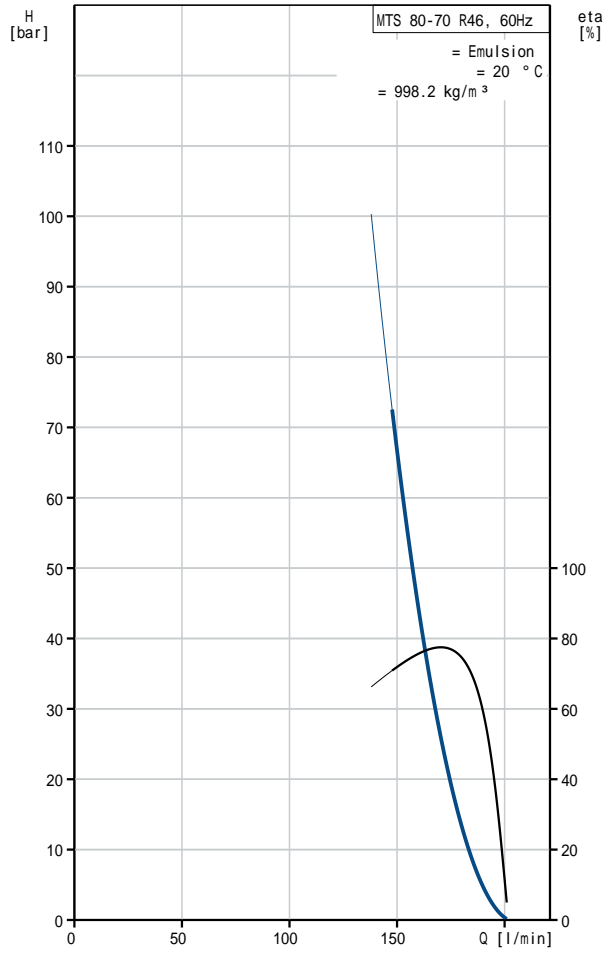
|           |       |                         |
|-----------|-------|-------------------------|
| :         | :     | Emulsion                |
| :         | :     | 80 °C                   |
| :         | :     | 20 °C                   |
| :         | :     | 998.2 kg/m <sup>3</sup> |
| :         | :     |                         |
| 1         | 가:    | 가 : 3500 rpm            |
| :         | :     | 150 l/min               |
| :         | :     | D8.6                    |
| :         | :     | CE                      |
| :         | :     |                         |
| :         | :     | 55 °C                   |
| :         | :     | 70 bar                  |
| :         | :     | SAE 2"                  |
| :         | :     | G 1 1/4" / SAE 1 1/2"   |
| :         | :     | 0 mm                    |
| :         | :     | FF350                   |
| :         | :     |                         |
| IE        | :     | SIEMENS                 |
| :         | :     | NEMA Premium / IE3 60Hz |
| :         | - P2: | 30 kW                   |
| :         | (P2): | 24.2 kW                 |
| :         | :     | 60 Hz                   |
| :         | :     | 3 x 380-420D/660-725Y V |
| :         | :     | 56,0-50,0/32,0-29,0 A   |
| :         | :     | 610-610 %               |
| cos phi - | :     | 0.89                    |
| :         | :     | 3545 rpm                |

|             |   |                 |
|-------------|---|-----------------|
| :           | : | IE3 92,4%       |
|             | : | 92.4-92.4 %     |
| 3/4         | : | 92.8-92.8 %     |
| 1/2         | : | 92.5-92.5 %     |
| :           | : | 2               |
| (IEC 34-5): | : | 55 Dust/Jetting |
| (IEC 85):   | : | F               |
| :           | : |                 |
| :           | : | 297 kg          |

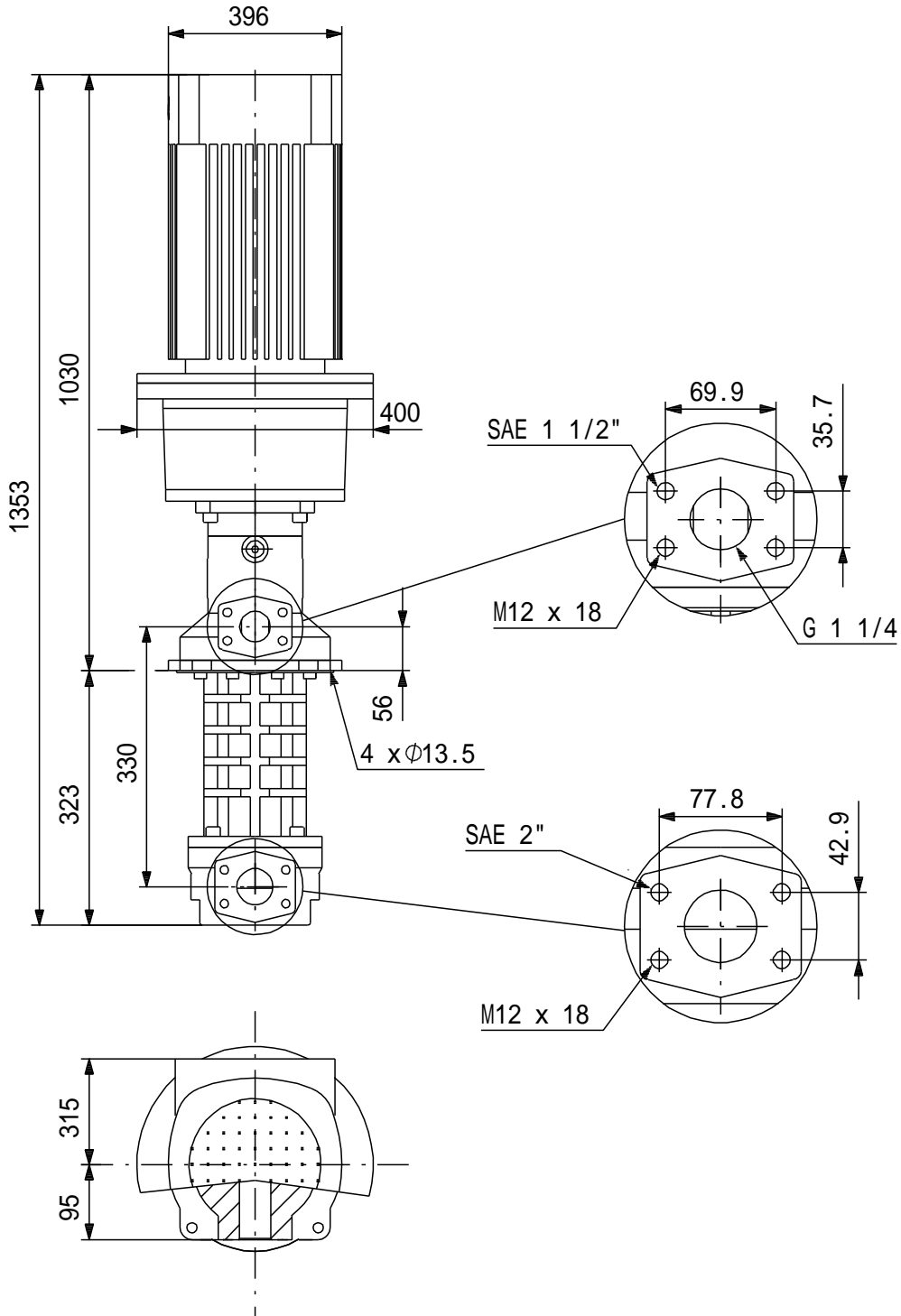
# MTS 80-70 R46 D8.6 60 Hz



|                    |                         |
|--------------------|-------------------------|
| MTS 80-70 R46 D8.6 |                         |
| EAN                | :                       |
| 가                  | 3500 rpm                |
| :                  | 150 l/min               |
| 1                  | D8.6                    |
| 가:                 | CE                      |
| :                  | A                       |
| :                  | 55 °C                   |
| :                  | 70 bar                  |
| :                  | SAE 2"                  |
| :                  | G 1 1/4" / SAE 1 1/2"   |
| :                  | 0 mm                    |
| :                  | FF350                   |
| :                  | DRY                     |
| :                  | Emulsion                |
| :                  | 80 °C                   |
| :                  | 20 °C                   |
| :                  | 998.2 kg/m <sup>3</sup> |
| :                  | SIEMENS                 |
| IE                 | NEMA Premium / IE3 60Hz |
| - P2:              | 30 kW                   |
| (P2):              | 24.2 kW                 |
| :                  | 60 Hz                   |
| :                  | 3 x 380-420D/660-725Y V |
| :                  | 56,0-50,0/32,0-29,0 A   |
| :                  | 610-610 %               |
| cos phi -          | 0.89                    |
| :                  | 3545 rpm                |
| :                  | IE3 92,4%               |
| :                  | 92.4-92.4 %             |
| 3/4                | 92.8-92.8 %             |
| 1/2                | 92.5-92.5 %             |
| :                  | 2                       |
| (IEC 34-5):        | 55 Dust/Jetting         |
| (IEC 85):          | F                       |
| :                  | PTC                     |
| :                  | 83U15232                |
| Pos term           | 12 o'clock              |
| :                  | 297 kg                  |
| :                  | 3 %                     |
| :                  | 46                      |



MTS 80-70 R46 D8.6 60 Hz



!

[mm]

MTS 80-70 R46 D8.6 60 Hz



IEC TP211 THERMALLY PROTECTED WHEN THE THERMISTORS ARE  
CONNECTED TO AMPLIFIER RELAY FOR CONTROL OF MAIN SUPPLY  
THERMISTORS PTC ACCORDING TO DIN 44082