

1 MTS 80-60 R46 D8.6



Screw spindle pump designed for pumping of cooling lubricants and cutting oils water/oil emulsion min. 3% for machine tool applications. The pump is designed to be mounted on top of tanks with pump immersed in the pumped liquid.

The pump has the following characteristics:

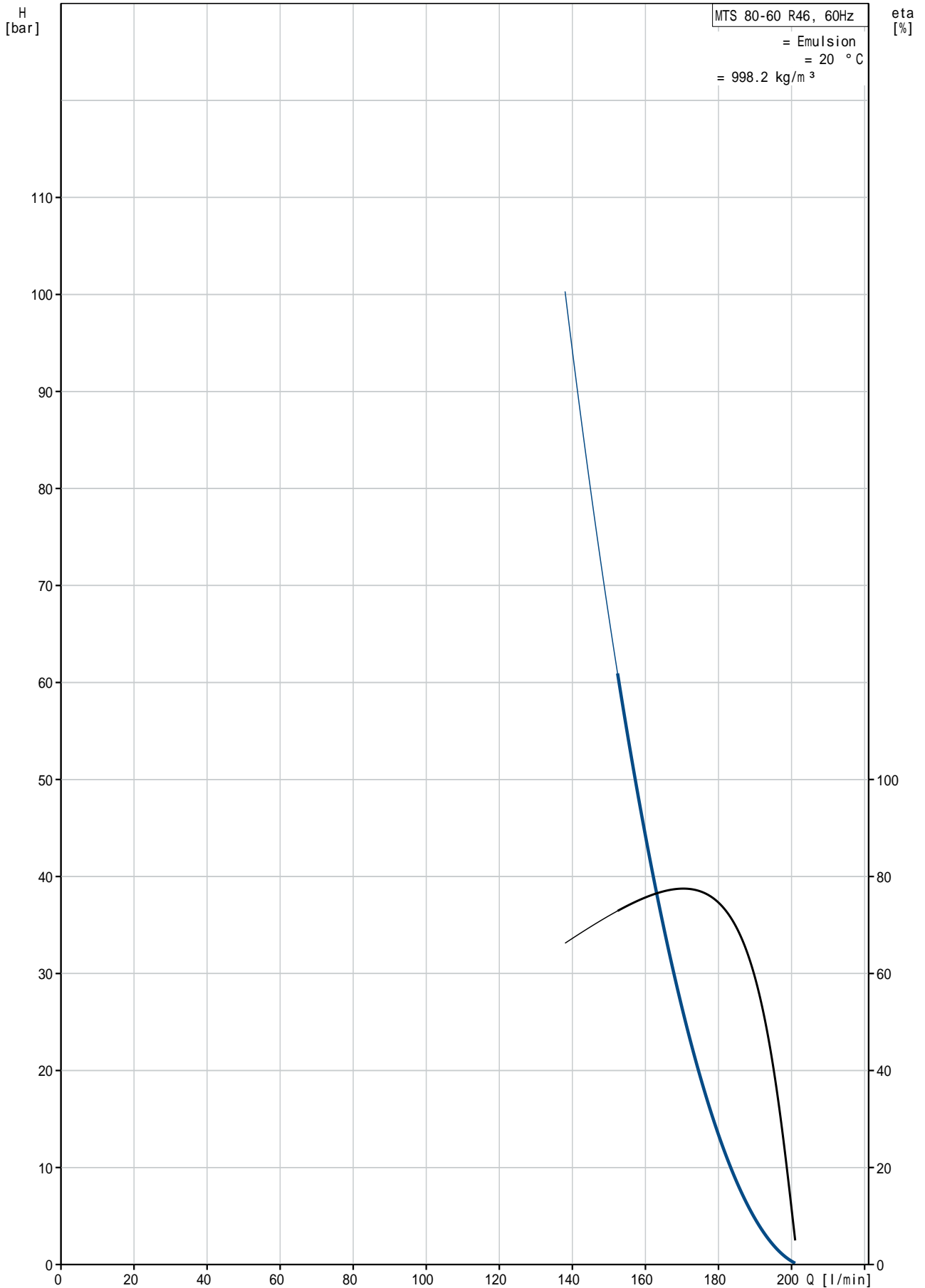
- High efficiency ensures very low heat input into the cooling lubricant.
- Axial thrust completely neutralised hydrostatically.
- Very wear resistant due specially hardened surfaces.
- D8.6 - mechanical shaft seal according to EN 12756.
- Power transmission via cast iron flexible coupling.

The motor is a 3-phase AC motor.

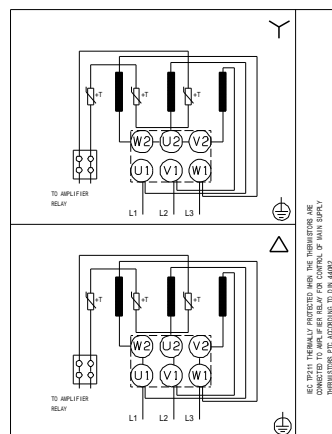
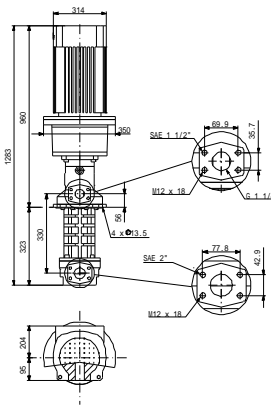
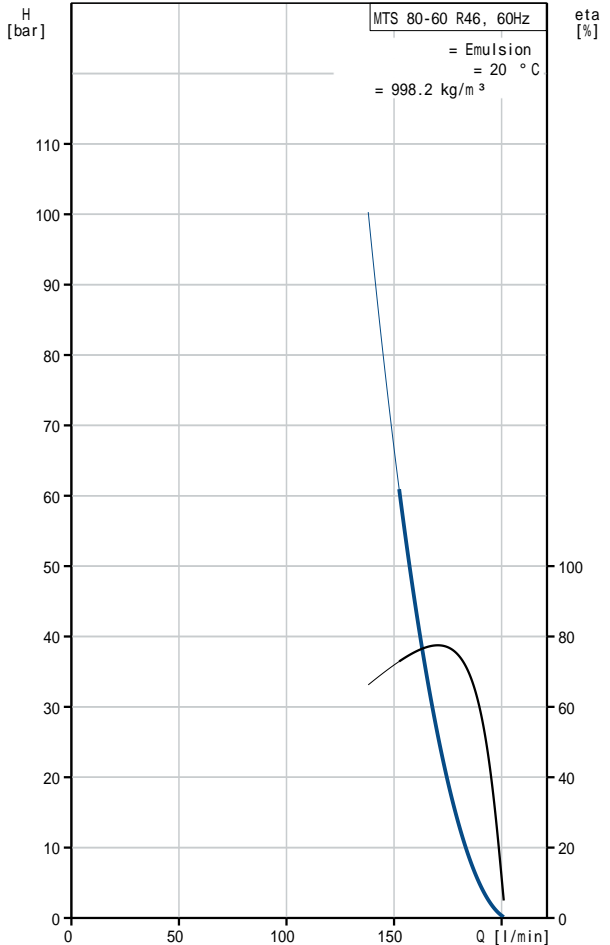
:	:	Emulsion
:	:	80 °C
:	:	20 °C
:	:	998.2 kg/m ³
:	:	
:	가	: 3500 rpm
:	:	154 l/min
1	:	D8.6
가:	:	CE,EAC
:	:	
:	:	60 °C
:	:	60 bar
:	:	SAE 2"
:	:	G 1 1/4" / SAE 1 1/2"
:	:	0 mm
:	:	FF300
:	:	
IE	:	180MB
:	:	NEMA Premium / IE3 60Hz
- P2:	:	22 kW
(P2):	:	20.9 kW
:	:	60 Hz
:	:	3 x 380-480D/660-690Y V
:	:	40,0-32,5/23,0-22,2 A
:	:	650-1040 %
cos phi -	:	0.91-0.91
:	:	3520-3560 rpm

:	:	IE3 91,7%
	:	91.7 %
3/4	:	93.7 %
1/2	:	94.4 %
:	:	2
(IEC 34-5):	:	55 Dust/Jetting
(IEC 85):	:	F
:	:	
:	:	182 kg

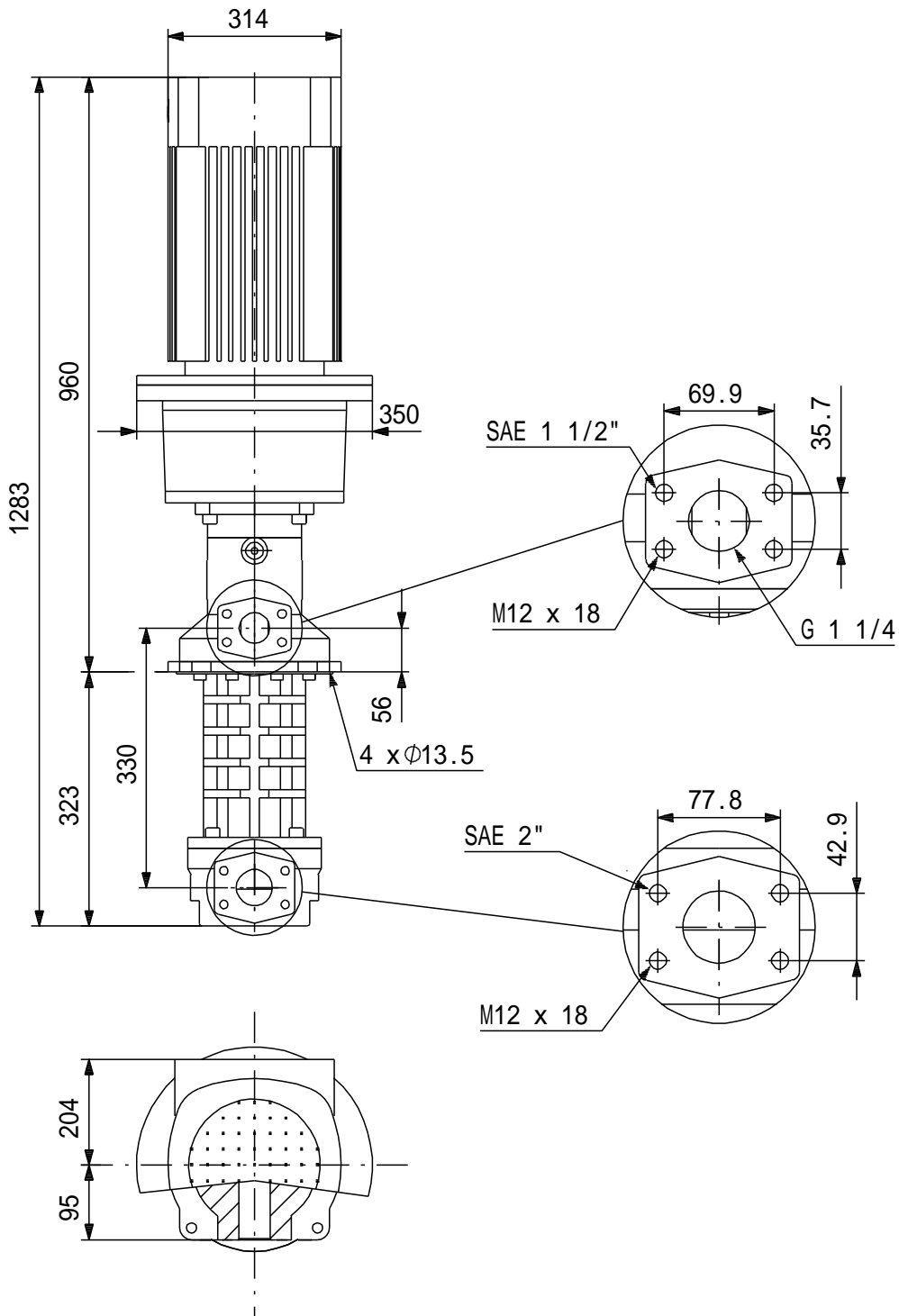
MTS 80-60 R46 D8.6 60 Hz



MTS 80-60 R46 D8.6	
EAN	:
가	3500 rpm
	154 l/min
1	D8.6
가:	CE, EAC
	A
	60 °C
	60 bar
	SAE 2"
	G 1 1/4" / SAE 1 1/2"
	0 mm
	FF300
	DRY
	Emulsion
	80 °C
	20 °C
	998.2 kg/m ³
	180MB
IE	NEMA Premium / IE3 60Hz
- P2:	22 kW
(P2):	20.9 kW
	60 Hz
	3 x 380-480D/660-690Y V
	40,0-32,5/23,0-22,2 A
	650-1040 %
cos phi -	0.91-0.91
	3520-3560 rpm
	IE3 91,7%
	91.7 %
3/4	93.7 %
1/2	94.4 %
	2
(IEC 34-5):	55 Dust/Jetting
(IEC 85):	F
	PTC
	87470021
Pos term	12 o'clock
	182 kg
	3 %
	46



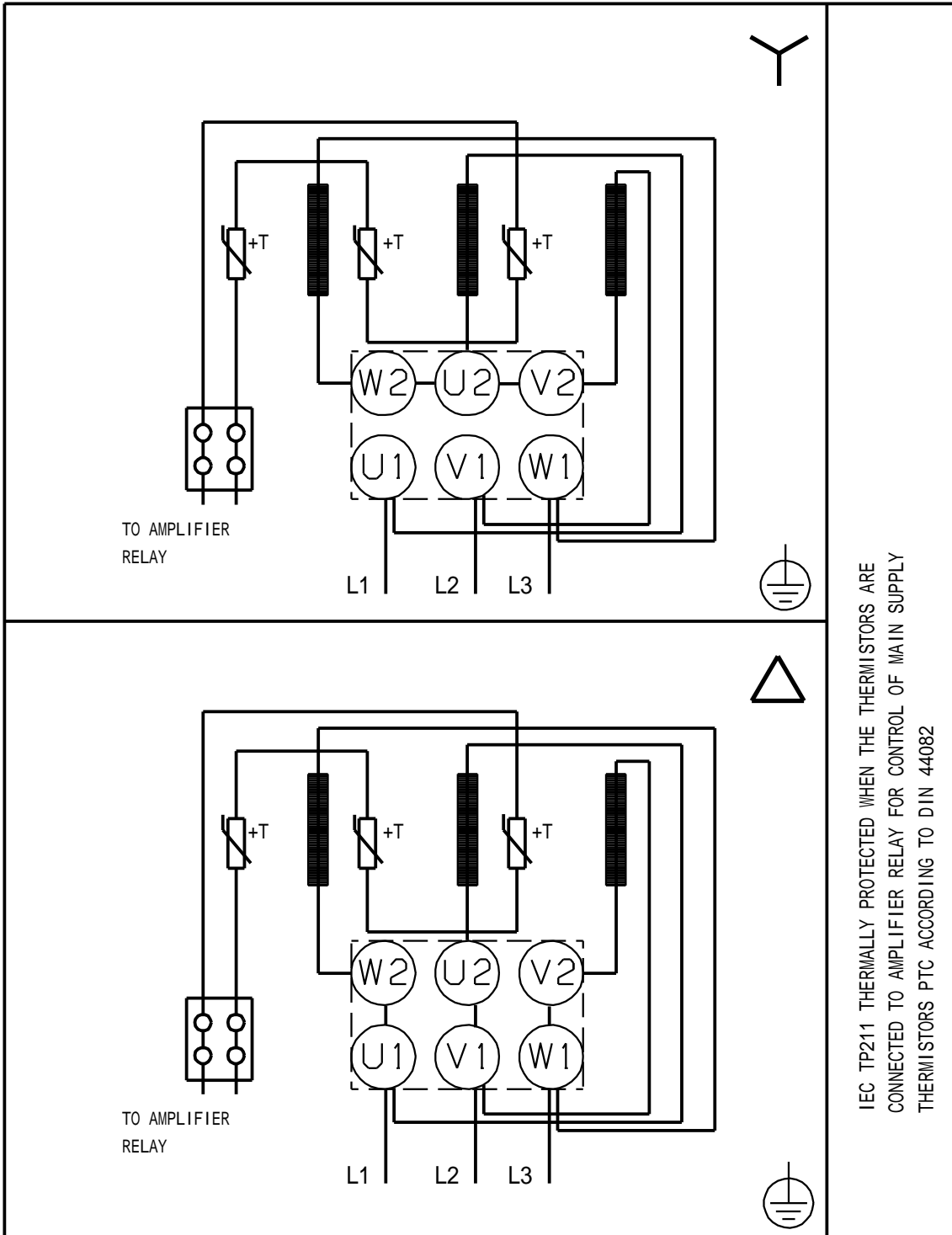
MTS 80-60 R46 D8.6 60 Hz



!

[mm]

MTS 80-60 R46 D8.6 60 Hz



IEC TP211 THERMALLY PROTECTED WHEN THE THERMISTORS ARE
 CONNECTED TO AMPLIFIER RELAY FOR CONTROL OF MAIN SUPPLY
 THERMISTORS PTC ACCORDING TO DIN 44082