

1 MTS 80-80 R36 D8.6



Screw spindle pump designed for pumping of cooling lubricants and cutting oils water/oil emulsion min. 3% for machine tool applications. The pump is designed to be mounted on top of tanks with pump immersed in the pumped liquid.

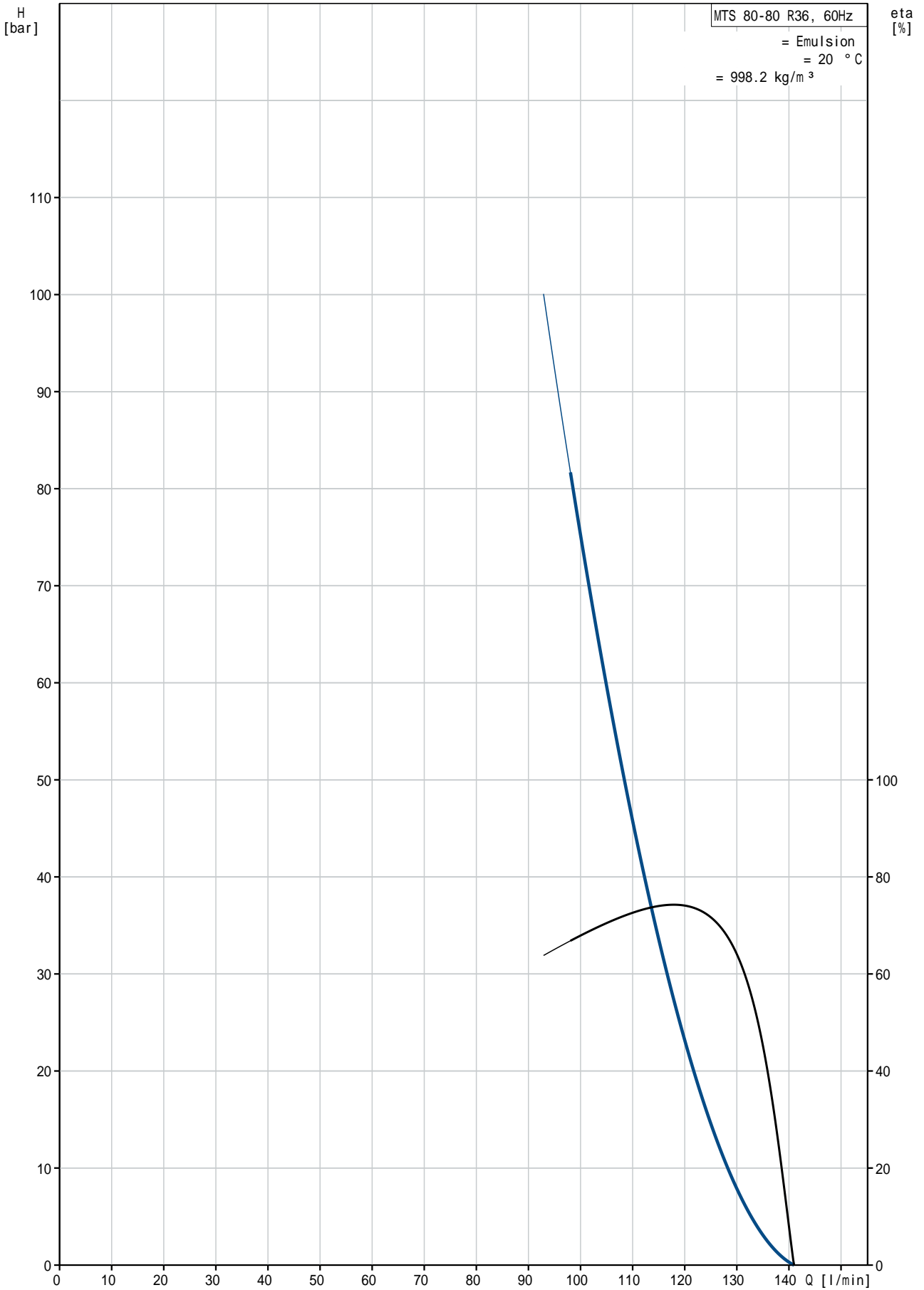
The pump has the following characteristics:

- High efficiency ensures very low heat input into the cooling lubricant.
- Axial thrust completely neutralised hydrostatically.
- Very wear resistant due specially hardened surfaces.
- D8.6 - mechanical shaft seal according to EN 12756.
- Power transmission via cast iron flexible coupling.

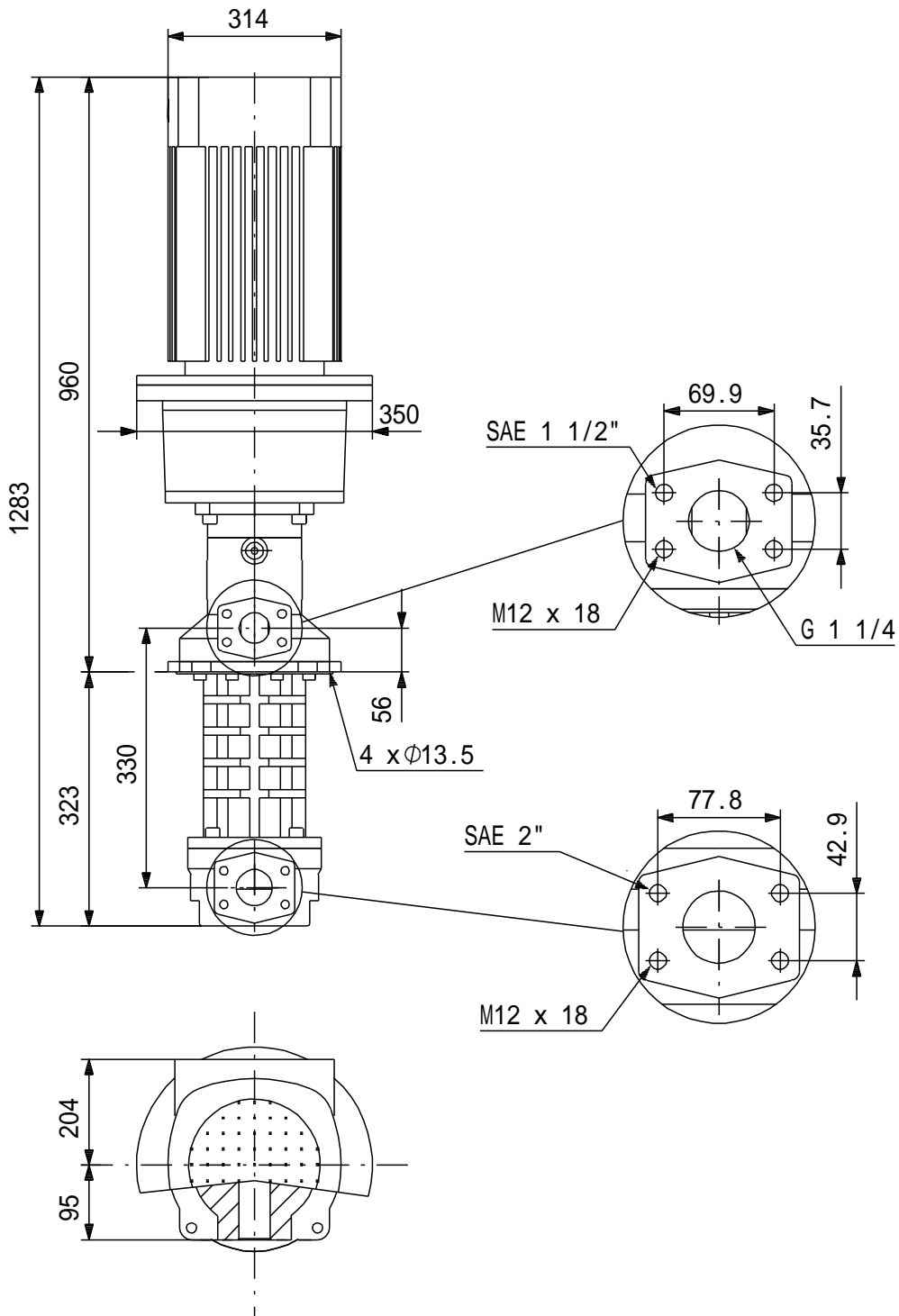
The motor is a 3-phase AC motor.

:	:	Emulsion
:	:	80 °C
:	:	20 °C
:	:	998.2 kg/m ³
:	가	: 3500 rpm
1	:	98.6 l/min
가:	:	D8.6
:	:	CE,EAC
:	:	60 °C
:	:	80 bar
:	:	SAE 2"
:	:	G 1 1/4" / SAE 1 1/2"
:	:	0 mm
:	:	FF300
IE	:	180MB
- P2:	:	NEMA Premium / IE3 60Hz
(P2):	:	22 kW
:	:	19.6 kW
:	:	60 Hz
:	:	3 x 380-480D/660-690Y V
:	:	40,0-32,5/23,0-22,2 A
cos phi -	:	650-1040 %
:	:	0.91-0.91
:	:	3520-3560 rpm

MTS 80-80 R36 D8.6 60 Hz



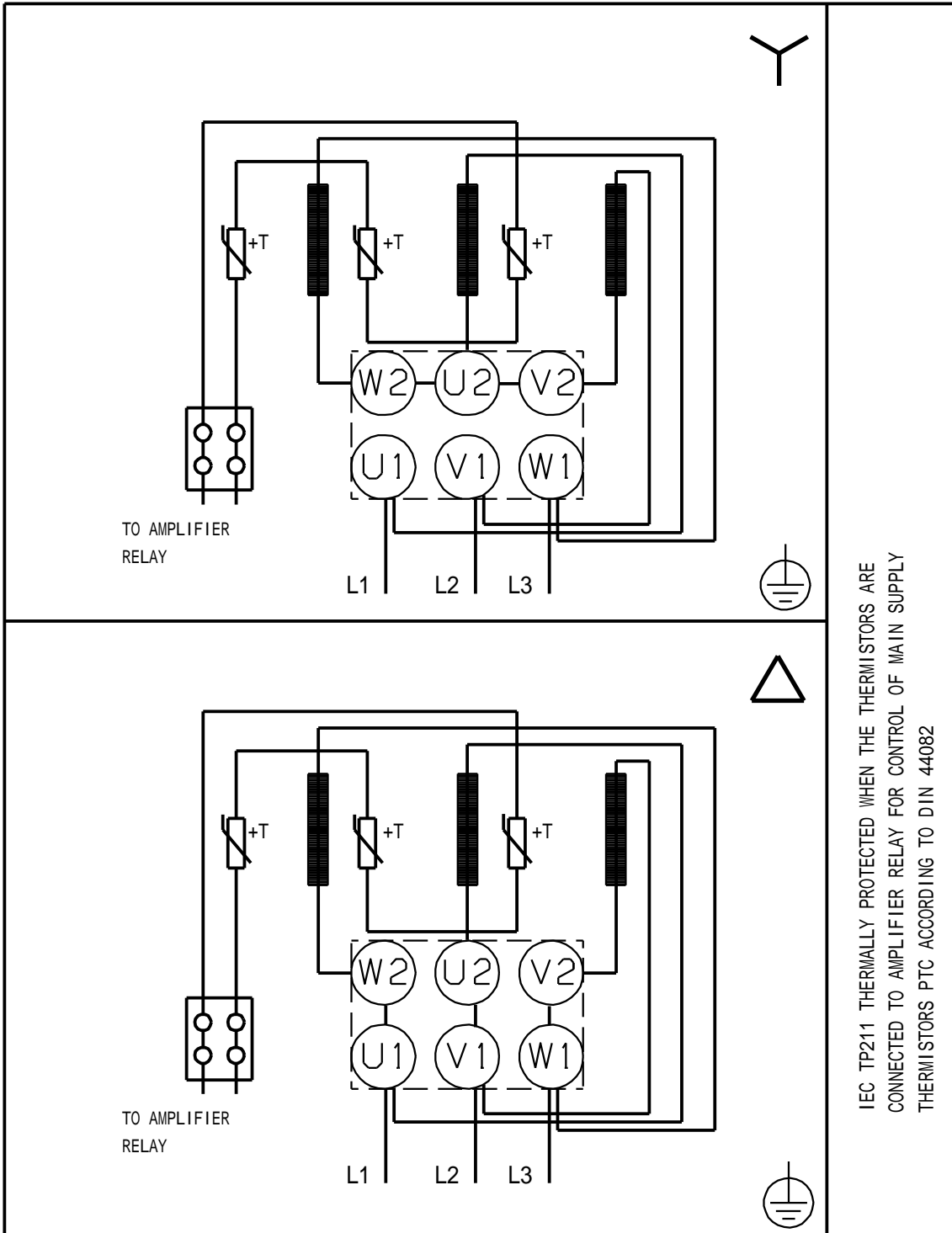
MTS 80-80 R36 D8.6 60 Hz



!

[mm]

MTS 80-80 R36 D8.6 60 Hz



IEC TP211 THERMALLY PROTECTED WHEN THE THERMISTORS ARE
CONNECTED TO AMPLIFIER RELAY FOR CONTROL OF MAIN SUPPLY
THERMISTORS PTC ACCORDING TO DIN 44082