

1 MTS 20-30 R56 D8.6



Screw spindle pump designed for pumping of cooling lubricants and cutting oils water/oil emulsion min. 3% for machine tool applications. The pump is designed to be mounted on top of tanks with pump immersed in the pumped liquid.

The pump has the following characteristics:

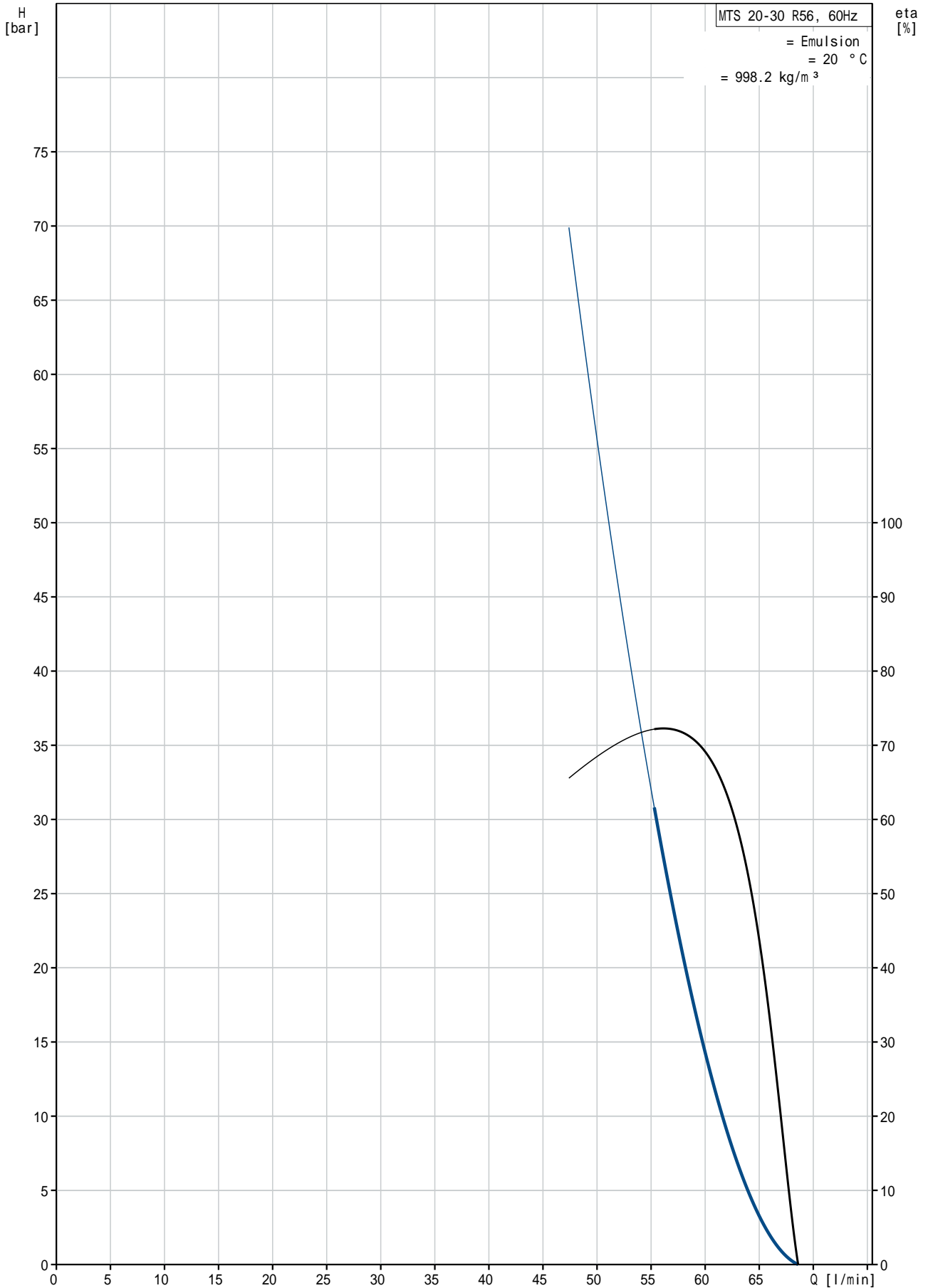
- High efficiency ensures very low heat input into the cooling lubricant.
- Axial thrust completely neutralised hydrostatically.
- Very wear resistant due specially hardened surfaces.
- D8.6 - mechanical shaft seal according to EN 12756.
- Power transmission via cast iron flexible coupling.

The motor is a 3-phase AC motor.

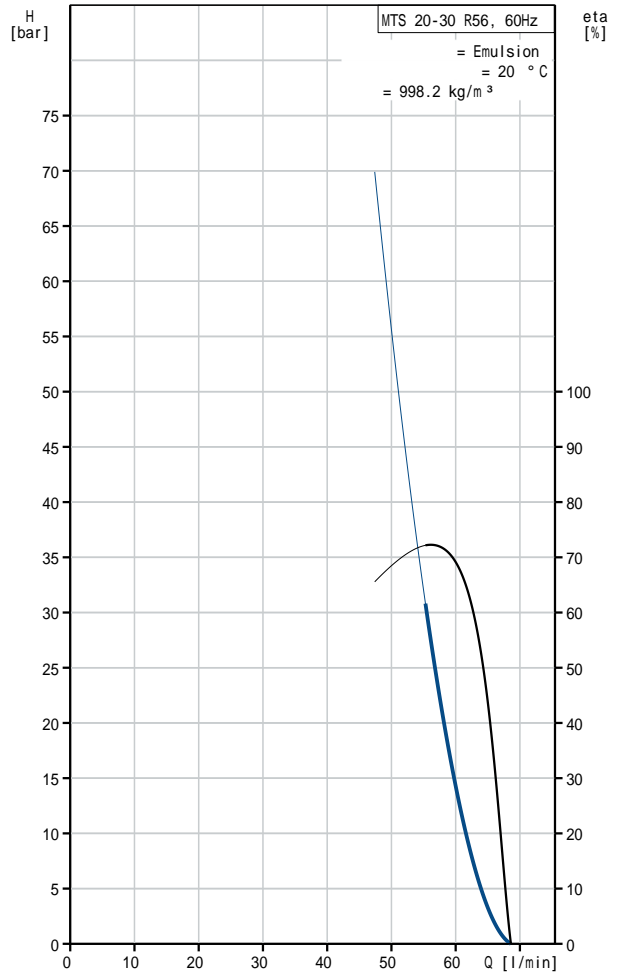
:	:	Emulsion
:	:	80 °C
:	:	20 °C
:	:	998.2 kg/m <sup>3</sup>
:	가	: 3500 rpm
1	:	55.5 l/min
가:	:	D8.6
:	:	CE,EAC
:	:	60 °C
:	:	30 bar
:	:	SAE 1 1/2"
:	:	G 3/4" / SAE 1"
:	:	0 mm
:	:	FF215
IE	:	112MC
- P2:	:	NEMA Premium / IE3 60Hz
(P2):	:	4 kW
:	:	3.8 kW
:	:	60 Hz
:	:	3 x 380-480 V
:	:	7.80-6.80 A
:	:	1000-1470 %
cos phi -	:	0.91-0.82
:	:	3510-3540 rpm

	:		IE3 88,5%
		:	88.5 %
3/4		:	88.6 %
1/2		:	85.2 %
	:		2
	(IEC 34-5):		55 Dust/Jetting
	(IEC 85):		F
	:		
	:		64.5 kg

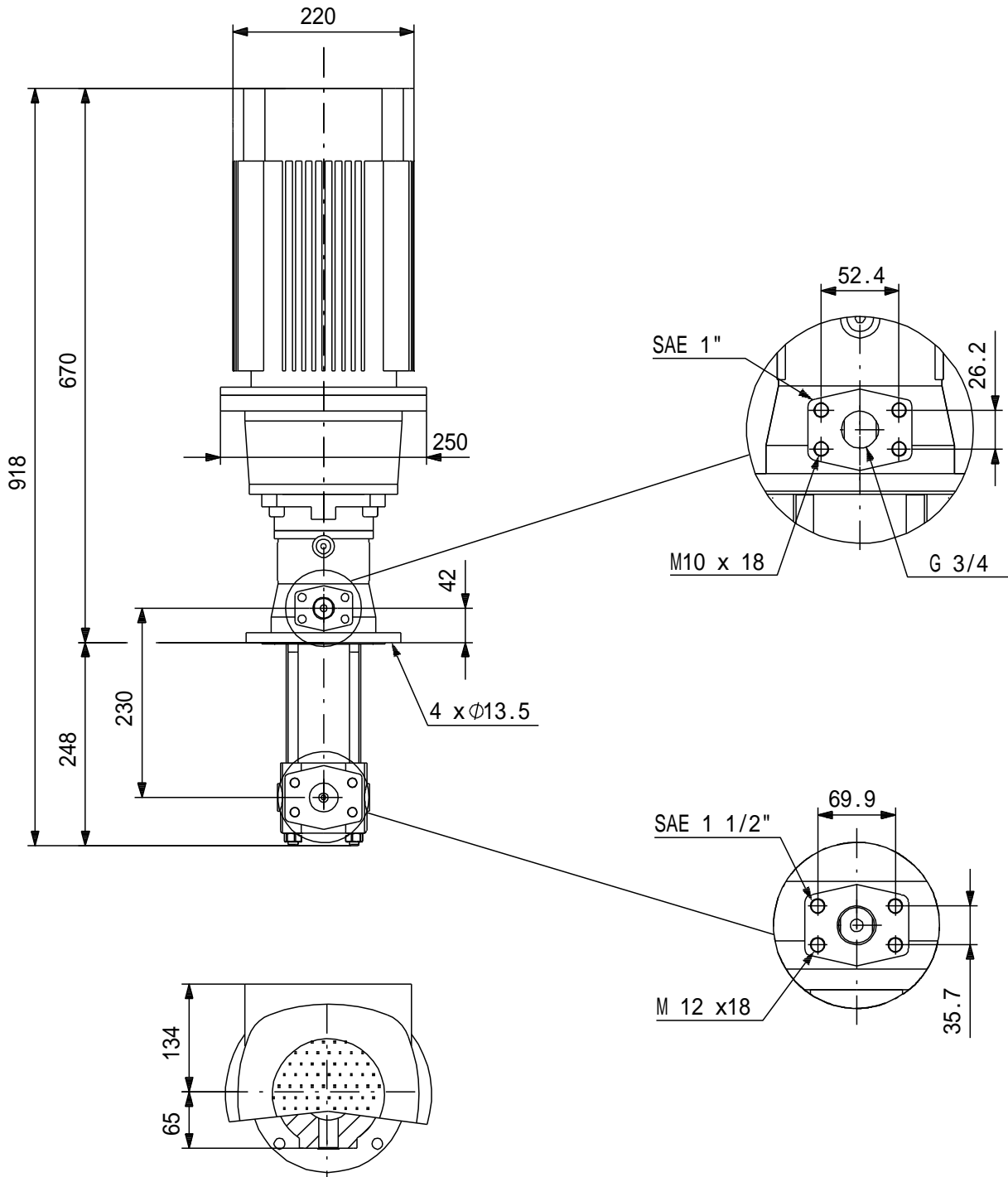
# MTS 20-30 R56 D8.6 60 Hz



MTS 20-30 R56 D8.6	
EAN	
가	3500 rpm
	55.5 l/min
1	D8.6
가:	CE, EAC
	A
	60 °C
	30 bar
	SAE 1 1/2"
	G 3/4" / SAE 1"
	0 mm
	FF215
	DRY
	Emulsion
	80 °C
	20 °C
	998.2 kg/m <sup>3</sup>
	112MC
IE	NEMA Premium / IE3 60Hz
- P2:	4 kW
(P2):	3.8 kW
	60 Hz
	3 x 380-480 V
	7.80-6.80 A
	1000-1470 %
cos phi -	0.91-0.82
	3510-3540 rpm
	IE3 88,5%
	88.5 %
3/4	88.6 %
1/2	85.2 %
	2
(IEC 34-5):	55 Dust/Jetting
(IEC 85):	F
	PTC
	87322303
Pos term	12 o'clock
	64.5 kg
	3 %
	56



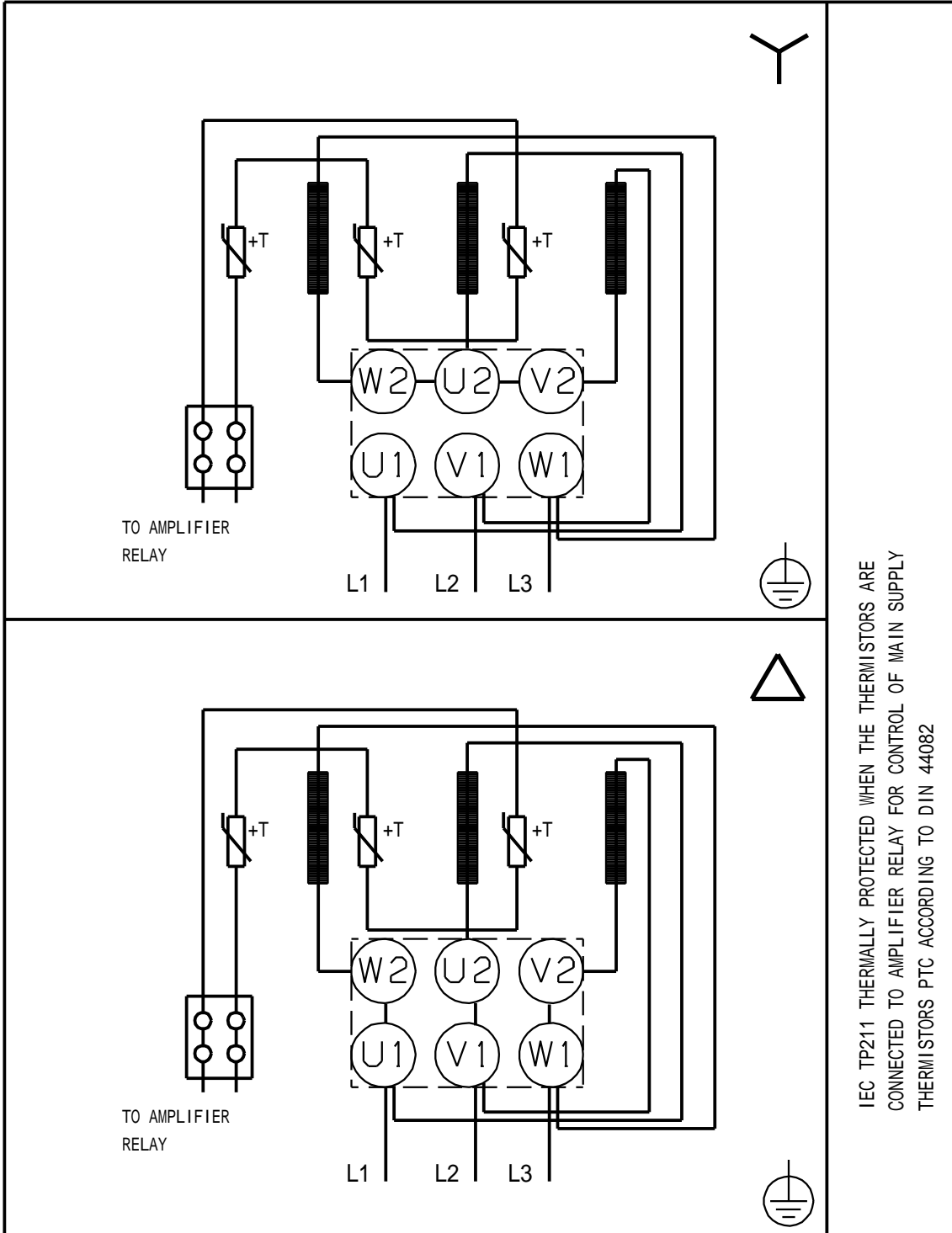
MTS 20-30 R56 D8.6 60 Hz



!

[mm]

MTS 20-30 R56 D8.6 60 Hz



IEC TP211 THERMALLY PROTECTED WHEN THE THERMISTORS ARE  
 CONNECTED TO AMPLIFIER RELAY FOR CONTROL OF MAIN SUPPLY  
 THERMISTORS PTC ACCORDING TO DIN 44082