

1 MTS 40-30 R38 DQ



Screw spindle pump designed for pumping of cooling lubricants and cutting oils water/oil emulsion min. 3% for machine tool applications. The pump is designed to be mounted on top of tanks with pump immersed in the pumped liquid.

The pump has the following characteristics:

- High efficiency ensures very low heat input into the cooling lubricant.
- Axial thrust completely neutralised hydrostatically.
- Very wear resistant due specially hardened surfaces.
- DQ - shaft seal ring.
- Power transmission via cast iron flexible coupling.

The motor is a 3-phase AC motor.

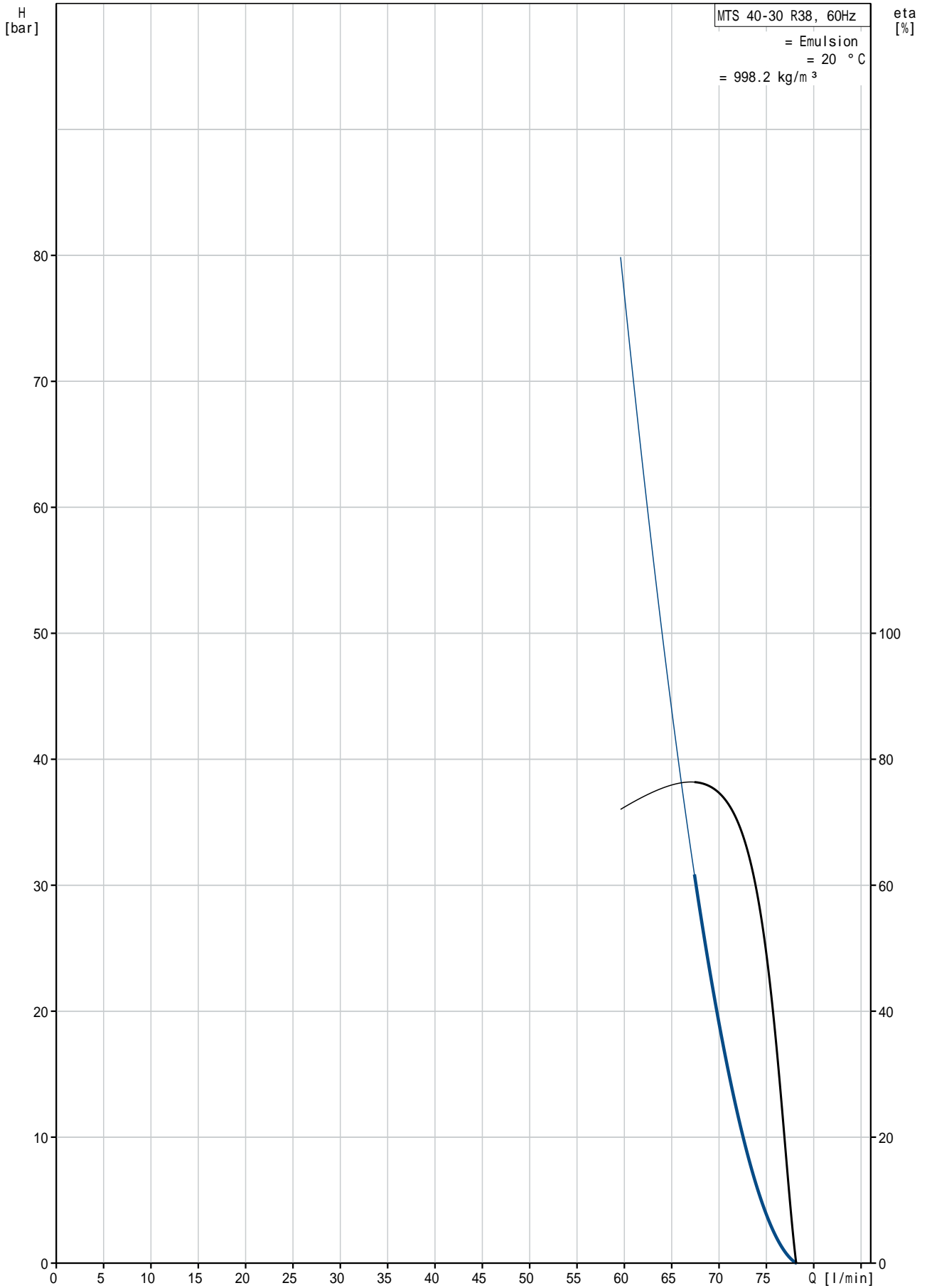
:	:	Emulsion
:	:	80 °C
:	:	20 °C
:	:	998.2 kg/m ³
:	:	
:	가	: 3500 rpm
1	:	67.6 l/min
:	:	DQ
가:	:	CE,EAC
:	:	
:	:	60 °C
:	:	30 bar
:	:	G1 1/4"
:	:	G 3/4" / SAE 1"
:	:	280 mm
:	:	FF265
:	:	
IE	:	132SC
:	:	NEMA Premium / IE3 60Hz
- P2:	:	5.5 kW
(P2):	:	4.4 kW
:	:	60 Hz
:	:	3 x 220-277D/380-480Y V
:	:	18,4-16,2/10,6-9,30 A
:	:	1020-1480 %
cos phi -	:	0.90-0.80
:	:	3510-3550 rpm
:	:	IE3 89,5%
:	:	89.5 %
3/4	:	90.0 %
1/2	:	89.6 %
:	:	2
(IEC 34-5):	:	55 Dust/Jetting

(IEC 85): F

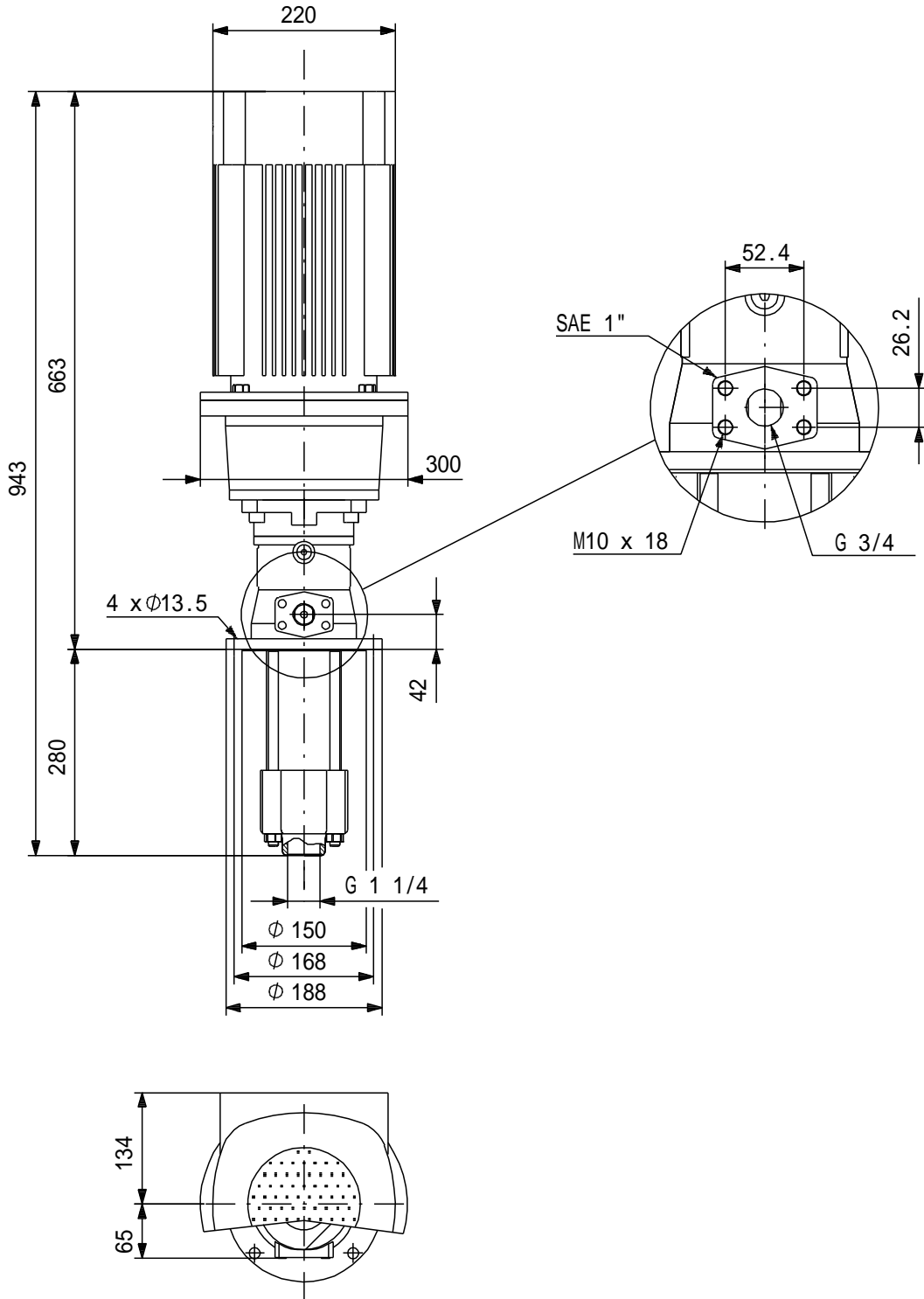
:

: 67.5 kg

MTS 40-30 R38 DQ 60 Hz



MTS 40-30 R38 DQ 60 Hz



[mm]

MTS 40-30 R38 DQ 60 Hz



IEC TP211 THERMALLY PROTECTED WHEN THE THERMISTORS ARE
CONNECTED TO AMPLIFIER RELAY FOR CONTROL OF MAIN SUPPLY
THERMISTORS PTC ACCORDING TO DIN 44082