

1 MTS 140-20 R39 DQ



Screw spindle pump designed for pumping of cooling lubricants and cutting oils water/oil emulsion min. 3% for machine tool applications. The pump is designed to be mounted on top of tanks with pump immersed in the pumped liquid.

The pump has the following characteristics:

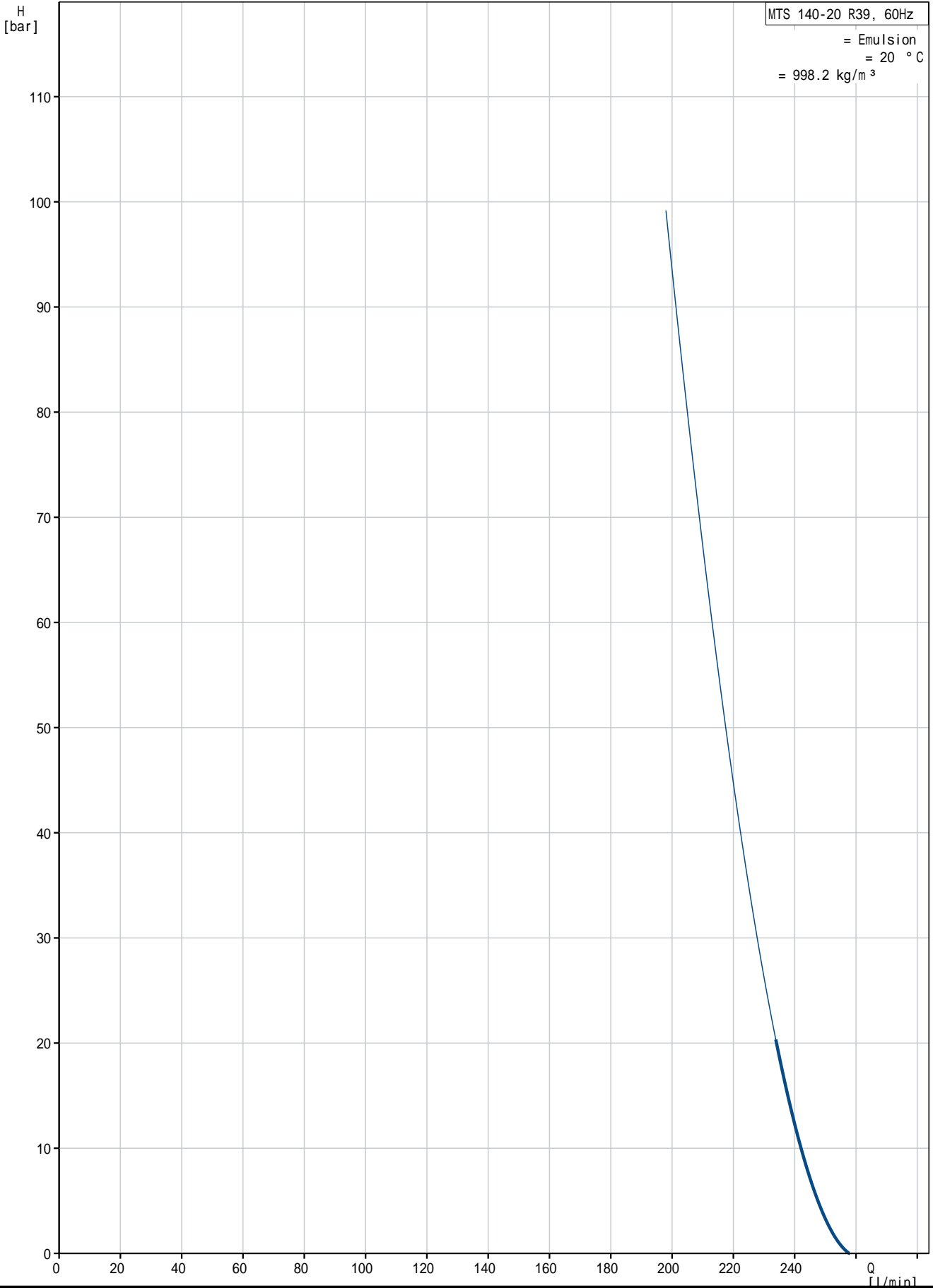
- High efficiency ensures very low heat input into the cooling lubricant.
- Axial thrust completely neutralised hydrostatically.
- Very wear resistant due specially hardened surfaces.
- DQ - shaft seal ring.
- Power transmission via cast iron flexible coupling.

The motor is a 3-phase AC motor.

:	:	Emulsion
:	:	80 °C
:	:	20 °C
:	:	998.2 kg/m <sup>3</sup>
:	:	
:	가	: 3500 rpm
1	:	234 l/min
:	:	DQ
가:	:	CE,EAC
:	:	
:	:	60 °C
:	:	20 bar
:	:	G2"
:	:	G 1 1/4" / SAE 1 1/2"
:	:	386 mm
:	:	FF300
:	:	
IE	:	160MB
:	:	IE2 - IE3
- P2:	:	11 kW
(P2):	:	9.9 kW
:	:	60 Hz
:	:	3 x 220-277D/380-480Y V
:	:	36,0-30,0/20,8-17,2 A
:	:	580-890 %
cos phi -	:	0.89-0.83
:	:	3520-3550 rpm
:	:	IE2 90,2% - IE3 91,0%
:	:	90.2-91.0 %
3/4	:	91.8 %
1/2	:	91.3 %
:	:	2
(IEC 34-5):	:	55 Dust/Jetting

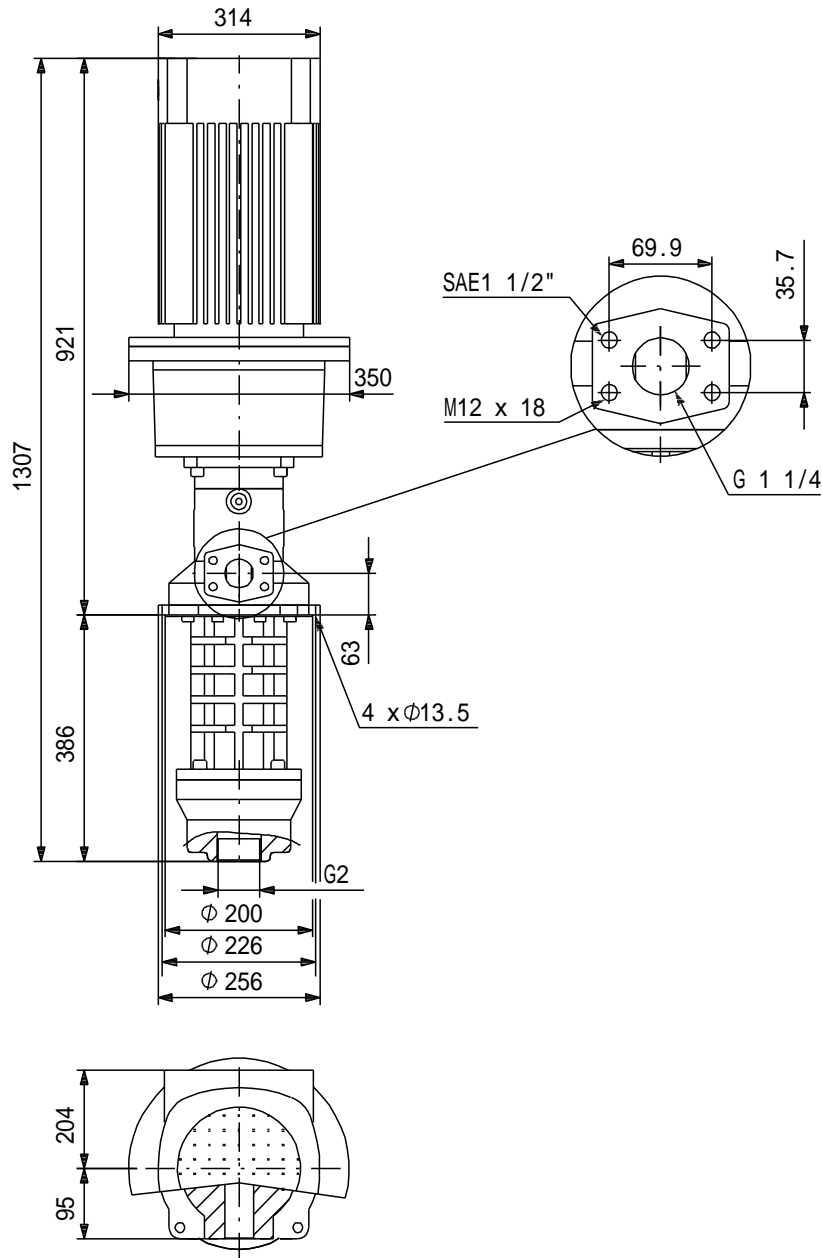


# MTS 140-20 R39 DQ 60 Hz





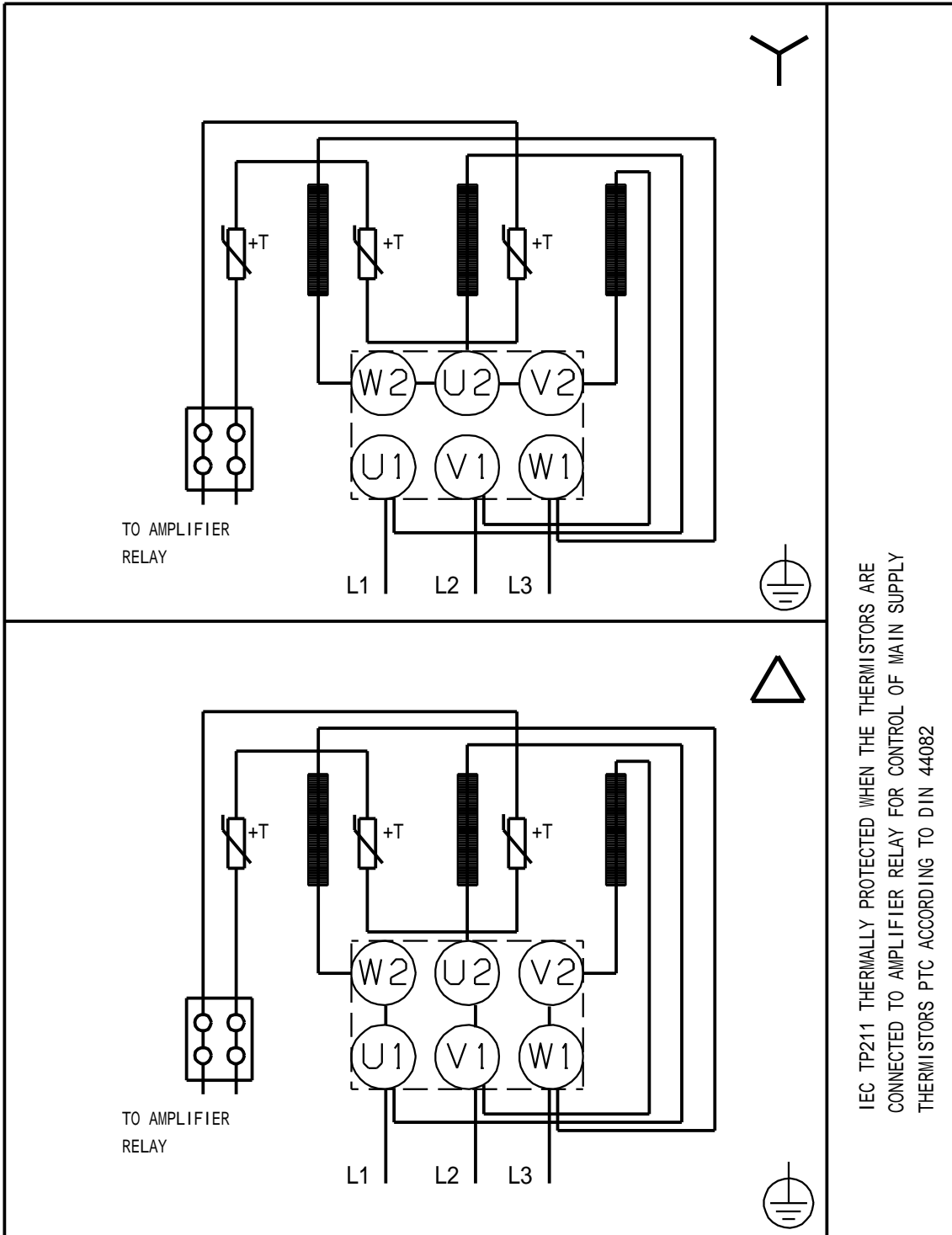
MTS 140-20 R39 DQ 60 Hz



!

[mm]

MTS 140-20 R39 DQ 60 Hz



IEC TP211 THERMALLY PROTECTED WHEN THE THERMISTORS ARE  
CONNECTED TO AMPLIFIER RELAY FOR CONTROL OF MAIN SUPPLY  
THERMISTORS PTC ACCORDING TO DIN 44082