

1 MTS 440-50 R46 D8.6



Screw spindle pump designed for pumping of cooling lubricants and cutting oils water/oil emulsion min. 3% for machine tool applications. The pump is designed to be mounted on top of tanks with pump immersed in the pumped liquid.

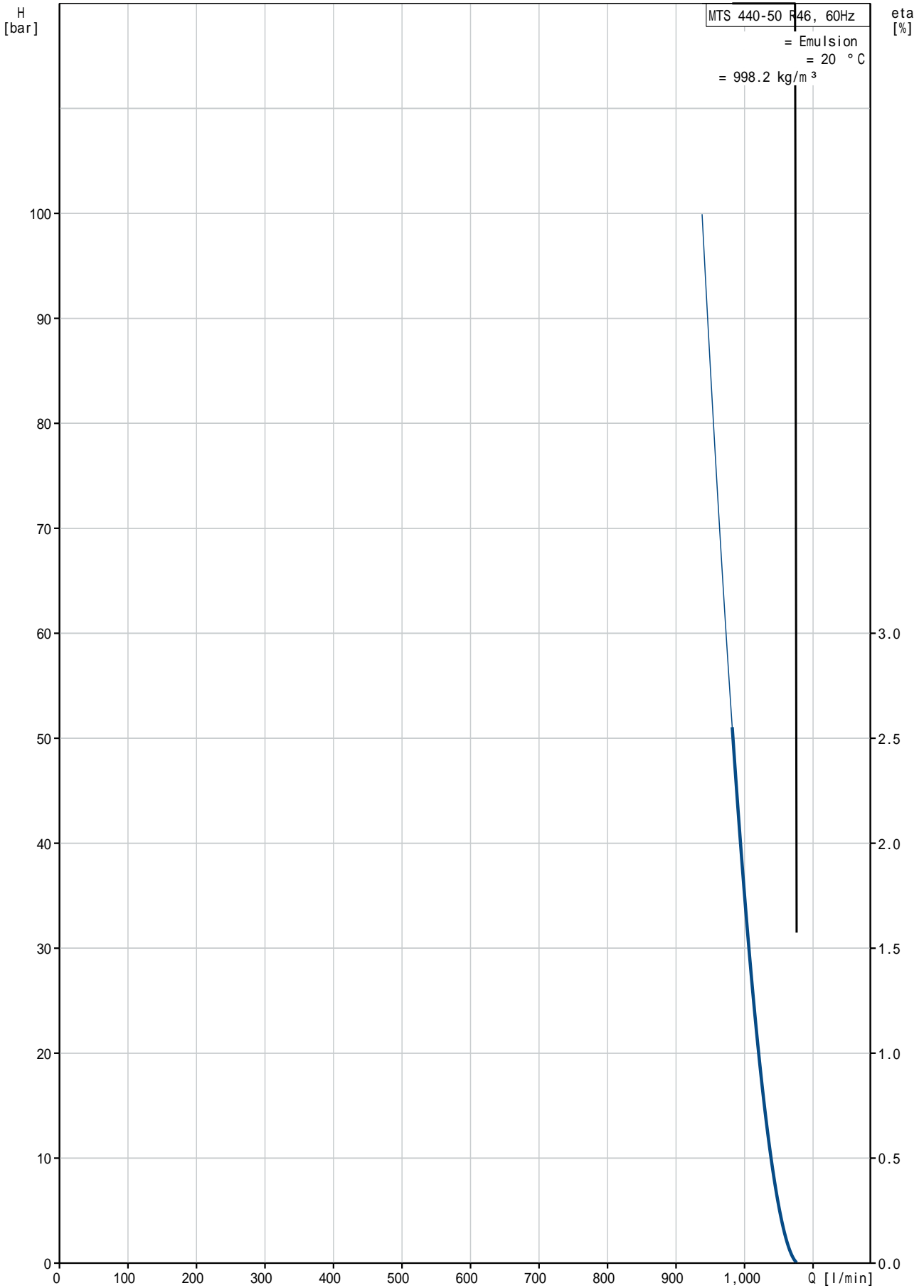
The pump has the following characteristics:

- High efficiency ensures very low heat input into the cooling lubricant.
- Axial thrust completely neutralised hydrostatically.
- Very wear resistant due specially hardened surfaces.
- D8.6 - mechanical shaft seal according to EN 12756.
- Power transmission via cast iron flexible coupling.

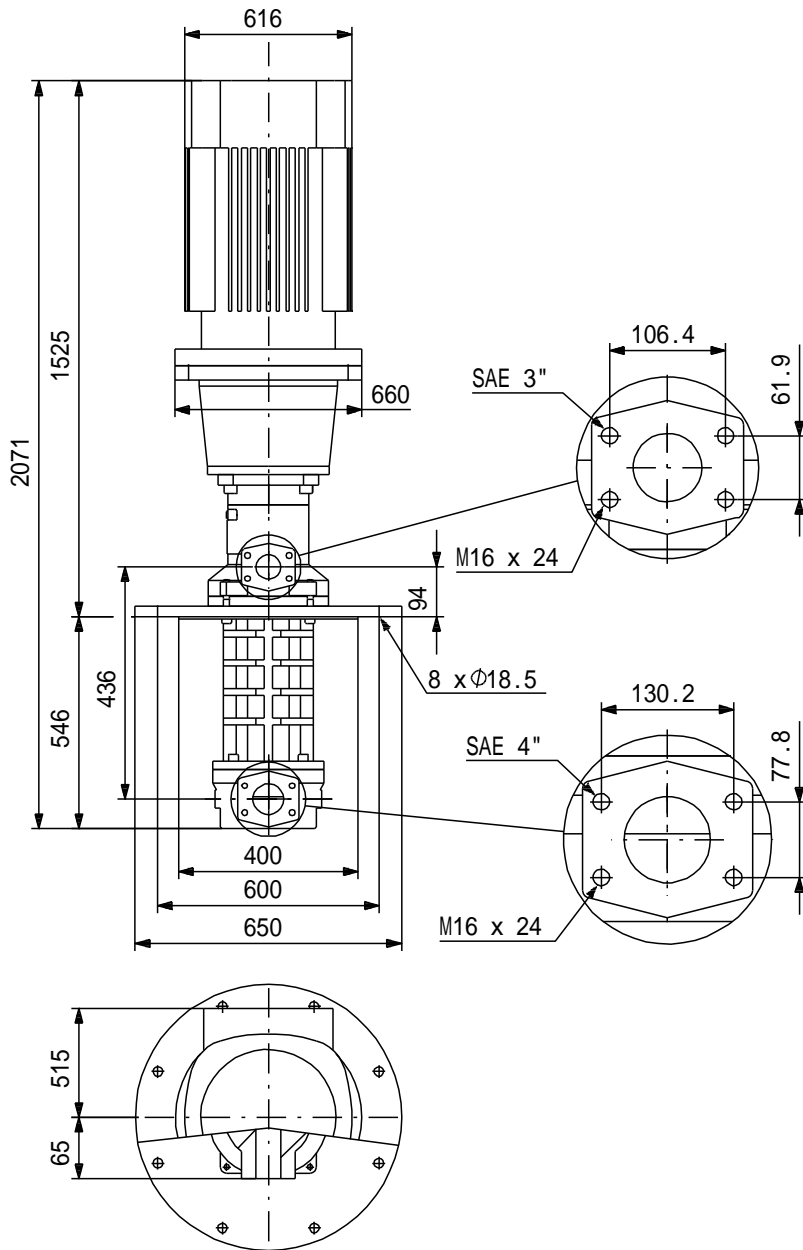
The motor is a 3-phase AC motor.

:	:	Emulsion
:	:	80 °C
:	:	20 °C
:	:	998.2 kg/m ³
:	가	: 3500 rpm
1	:	983 l/min
가:	:	D8.6
:	:	CE, EAC
:	:	55 °C
:	:	50 bar
:	:	SAE 4"
:	:	SAE 3"
:	:	0 mm
:	:	FF600
IE	:	SIEMENS
	:	NEMA Premium / IE3 60Hz
	- P2:	110 kW
	(P2):	95.4 kW
	:	60 Hz
	:	3 x 380-420D/660-725Y V
	:	193-174/112-101 A
cos phi -	:	780-780 %
	:	0.91
	:	3576 rpm
	:	IE3 95,0%
	:	95.0-95.0 %
3/4	:	94.9-94.9 %
1/2	:	93.9-93.9 %
	:	2

MTS 440-50 R46 D8.6 60 Hz



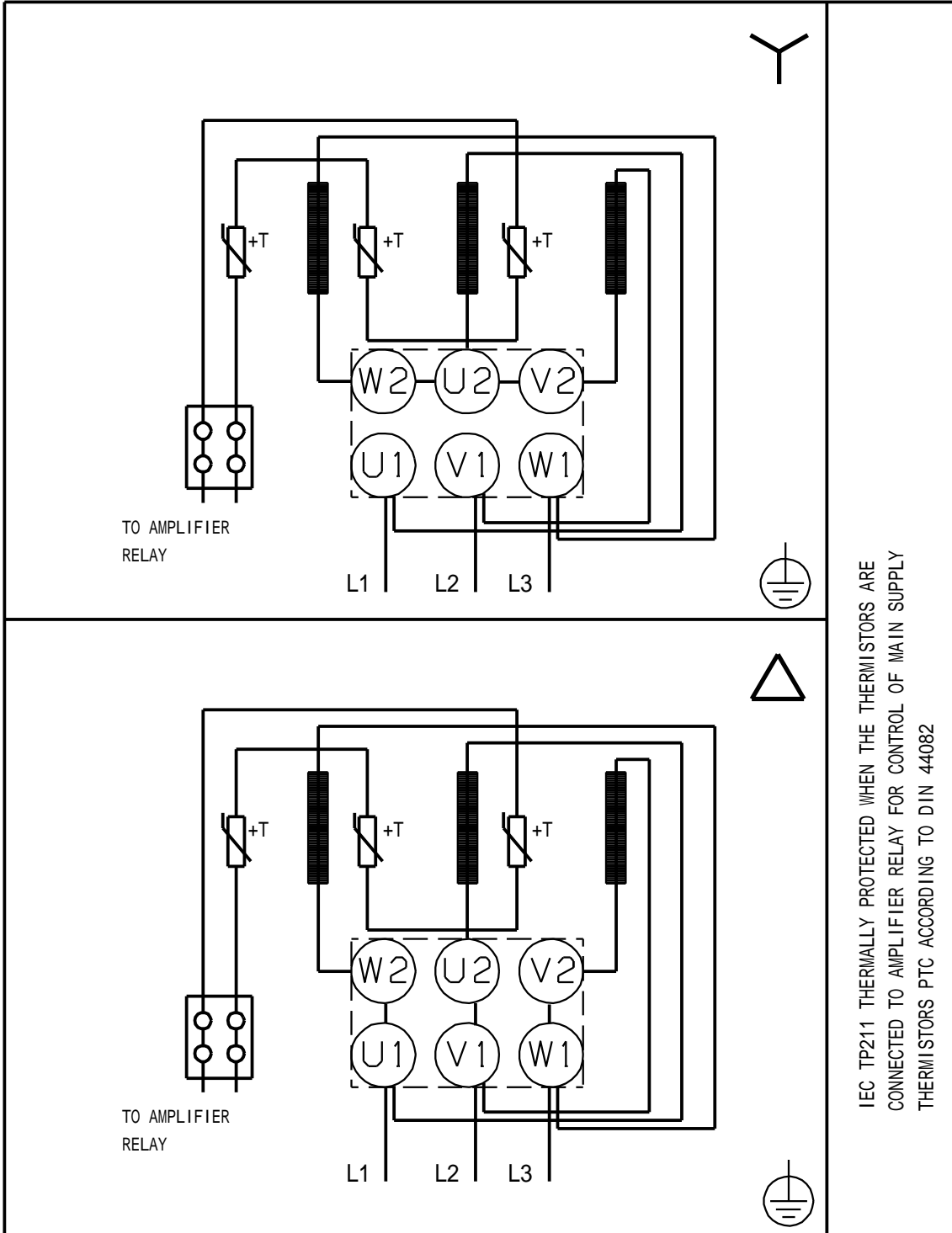
MTS 440-50 R46 D8.6 60 Hz



!

[mm]

MTS 440-50 R46 D8.6 60 Hz



IEC TP211 THERMALLY PROTECTED WHEN THE THERMISTORS ARE
CONNECTED TO AMPLIFIER RELAY FOR CONTROL OF MAIN SUPPLY
THERMISTORS PTC ACCORDING TO DIN 44082