

1 MTS 440-40 R46 D8.6



Screw spindle pump designed for pumping of cooling lubricants and cutting oils water/oil emulsion min. 3% for machine tool applications. The pump is designed to be mounted on top of tanks with pump immersed in the pumped liquid.

The pump has the following characteristics:

- High efficiency ensures very low heat input into the cooling lubricant.
- Axial thrust completely neutralised hydrostatically.
- Very wear resistant due specially hardened surfaces.
- D8.6 - mechanical shaft seal according to EN 12756.
- Power transmission via cast iron flexible coupling.

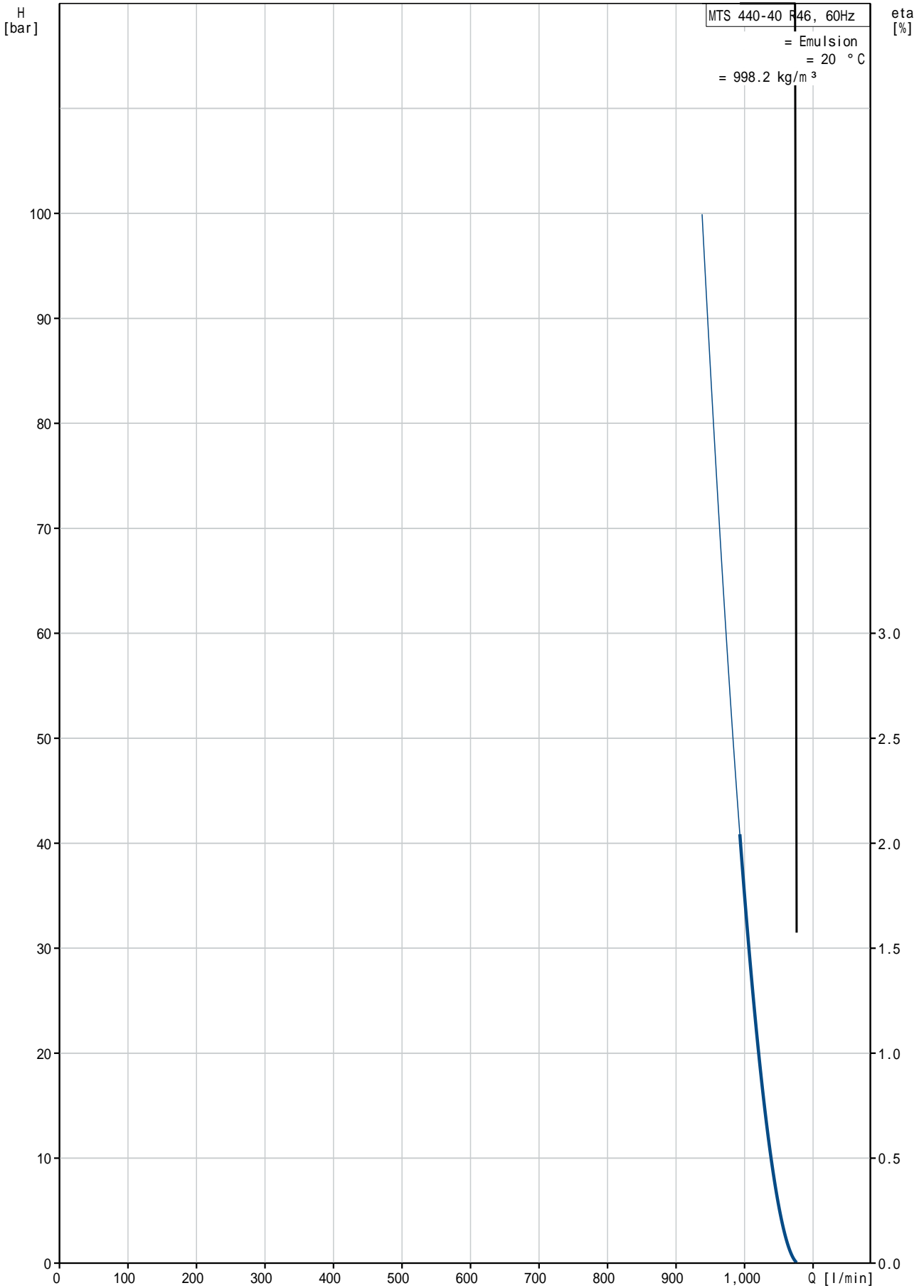
The motor is a 3-phase AC motor.

:	:	Emulsion
:	:	80 °C
:	:	20 °C
:	:	998.2 kg/m ³
:	가	: 3500 rpm
1	:	994 l/min
가:	:	D8.6
:	:	CE, EAC
:	:	55 °C
:	:	40 bar
:	:	SAE 4"
:	:	SAE 3"
:	:	0 mm
:	:	FF500
IE	:	SIEMENS
- P2:	:	NEMA Energy / IE2 60Hz / NRC
(P2):	:	90 kW
:	:	77.5 kW
:	:	60 Hz
:	:	3 x 380-420D/660-725Y V
:	:	161-145/93,0-84,0 A
cos phi -	:	780-780 %
:	:	0.90
:	:	3566 rpm
:	:	IE2 94,5%
3/4	:	94.5-94.5 %
1/2	:	94.2-94.2 %
:	:	93.2-93.2 %
:	:	2

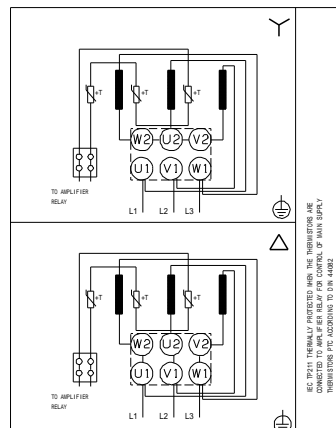
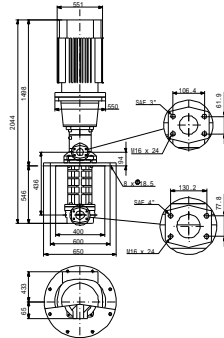
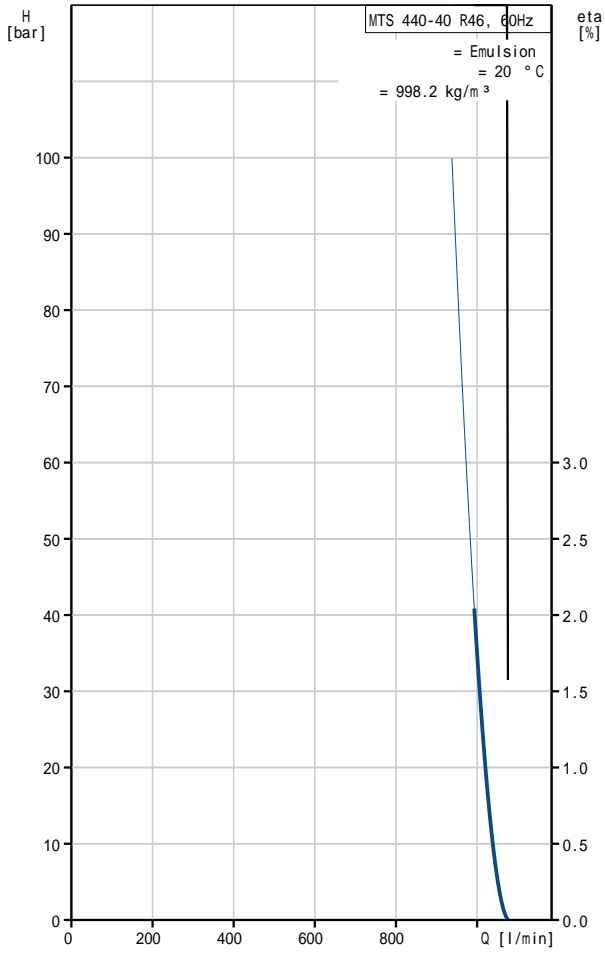
(IEC 34-5): 55 Dust/Jetting
(IEC 85): F

:
: 860 kg

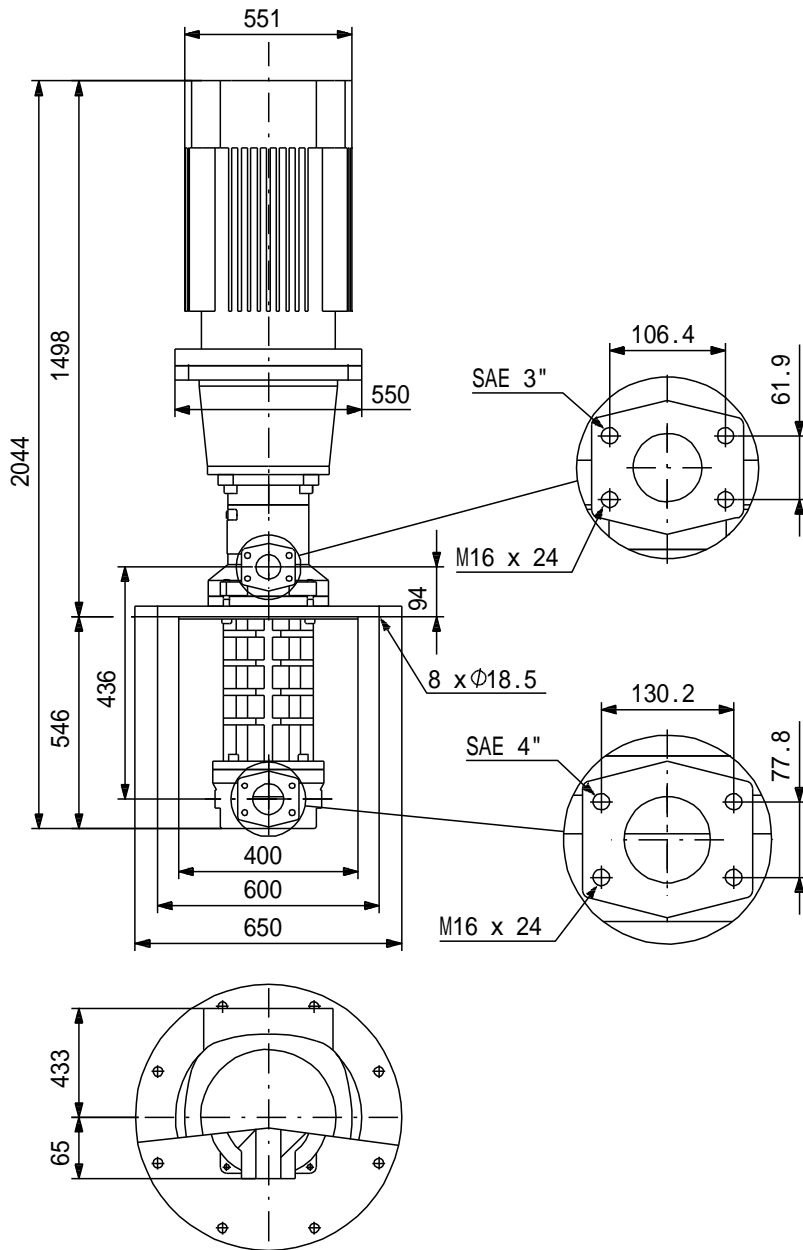
MTS 440-40 R46 D8.6 60 Hz



: MTS 440-40 R46 D8.6	
: 가 3500 rpm	
: 994 l/min	
1	: D8.6
가:	CE, EAC
:	A
:	55 °C
:	40 bar
:	SAE 4"
:	SAE 3"
:	0 mm
:	FF500
:	Emulsion
:	80 °C
:	20 °C
:	998.2 kg/m ³
:	SIEMENS
IE	: NEMA Energy / IE2 60Hz / NRC
- P2:	90 kW
(P2):	77.5 kW
:	60 Hz
:	3 x 380-420D/660-725Y V
:	161-145/93,0-84,0 A
:	780-780 %
cos phi -	: 0.90
:	3566 rpm
:	IE2 94,5%
:	94.5-94.5 %
3/4	: 94.2-94.2 %
1/2	: 93.2-93.2 %
:	2
(IEC 34-5):	55 Dust/Jetting
(IEC 85):	F
:	PTC
:	83U15242
:	
Pos term	: 12 o'clock
:	
:	860 kg
:	3 %
:	46



MTS 440-40 R46 D8.6 60 Hz



!

[mm]

MTS 440-40 R46 D8.6 60 Hz



!

[mm]