

1 MTS 440-20 R40 D8.6



Screw spindle pump designed for pumping of cooling lubricants and cutting oils water/oil emulsion min. 3% for machine tool applications. The pump is designed to be mounted on top of tanks with pump immersed in the pumped liquid.

The pump has the following characteristics:

- High efficiency ensures very low heat input into the cooling lubricant.
- Axial thrust completely neutralised hydrostatically.
- Very wear resistant due specially hardened surfaces.
- D8.6 - mechanical shaft seal according to EN 12756.
- Power transmission via cast iron flexible coupling.

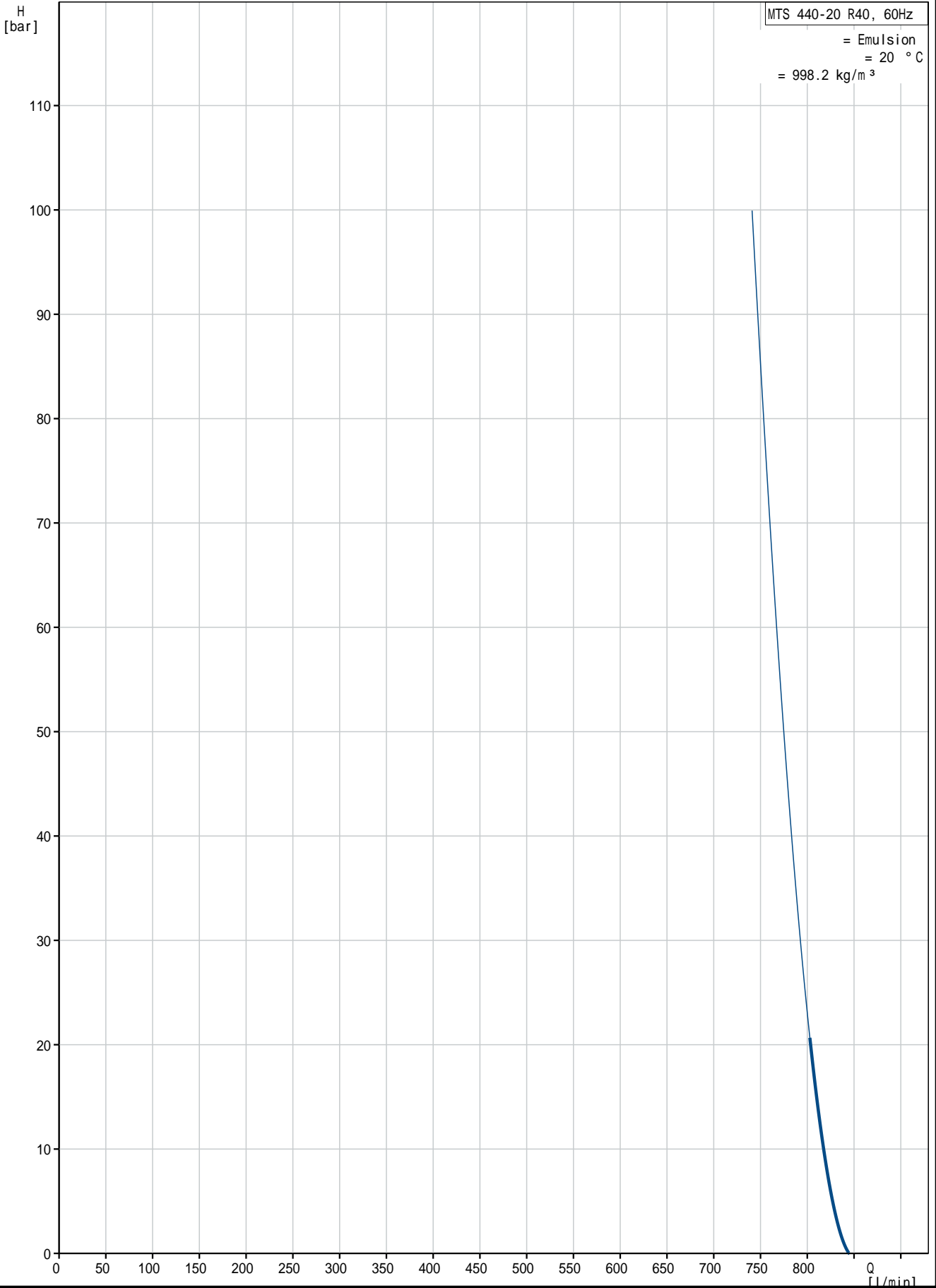
The motor is a 3-phase AC motor.

:	:	Emulsion
:	:	80 °C
:	:	20 °C
:	:	998.2 kg/m ³
:	가	: 3500 rpm
1	:	804 l/min
가:	:	D8.6
:	:	CE
:	:	55 °C
:	:	20 bar
:	:	SAE 4"
:	:	SAE 3"
:	:	0 mm
:	:	FF400
IE	:	SIEMENS
	:	NEMA Premium / IE3 60Hz
	- P2:	45 kW
	(P2):	33.9 kW
	:	60 Hz
	:	3 x 380-420D/660-725Y V
	:	81,0-73,0/47,0-42,0 A
	:	760-760 %
cos phi -	:	0.90
:	:	3555 rpm
:	:	IE3 94,2%
	:	94.2-94.2 %
3/4	:	94.3-94.3 %
1/2	:	93.7-93.7 %
:	:	2

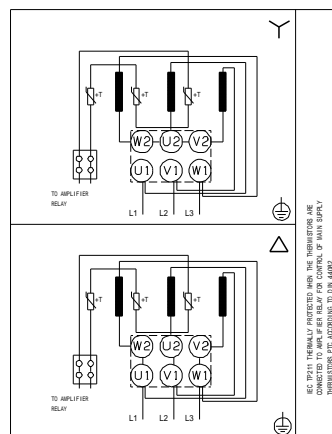
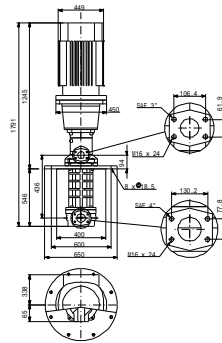
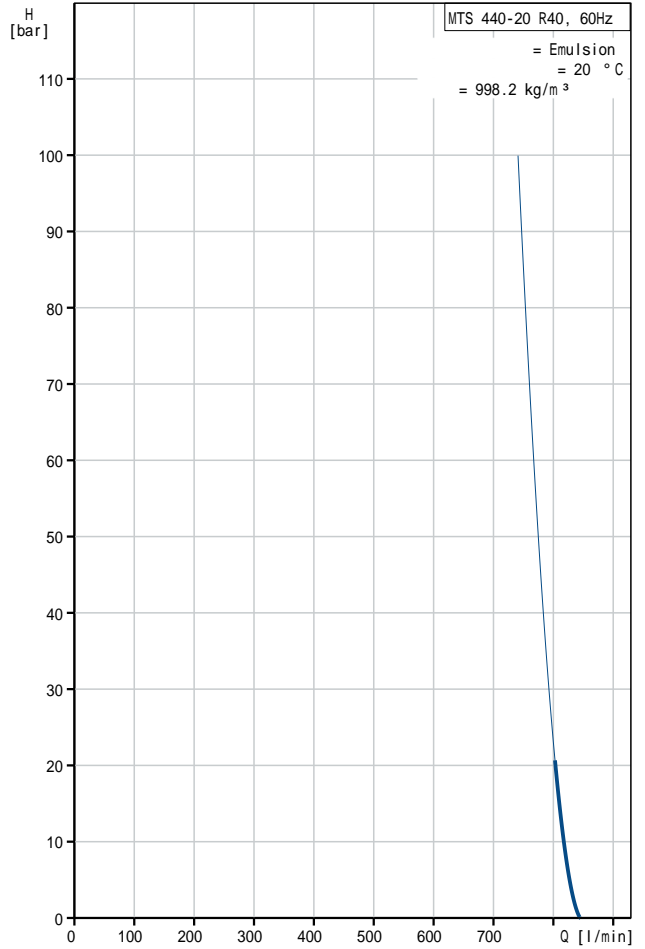
(IEC 34-5): 55 Dust/Jetting
(IEC 85): F

:
: 579 kg

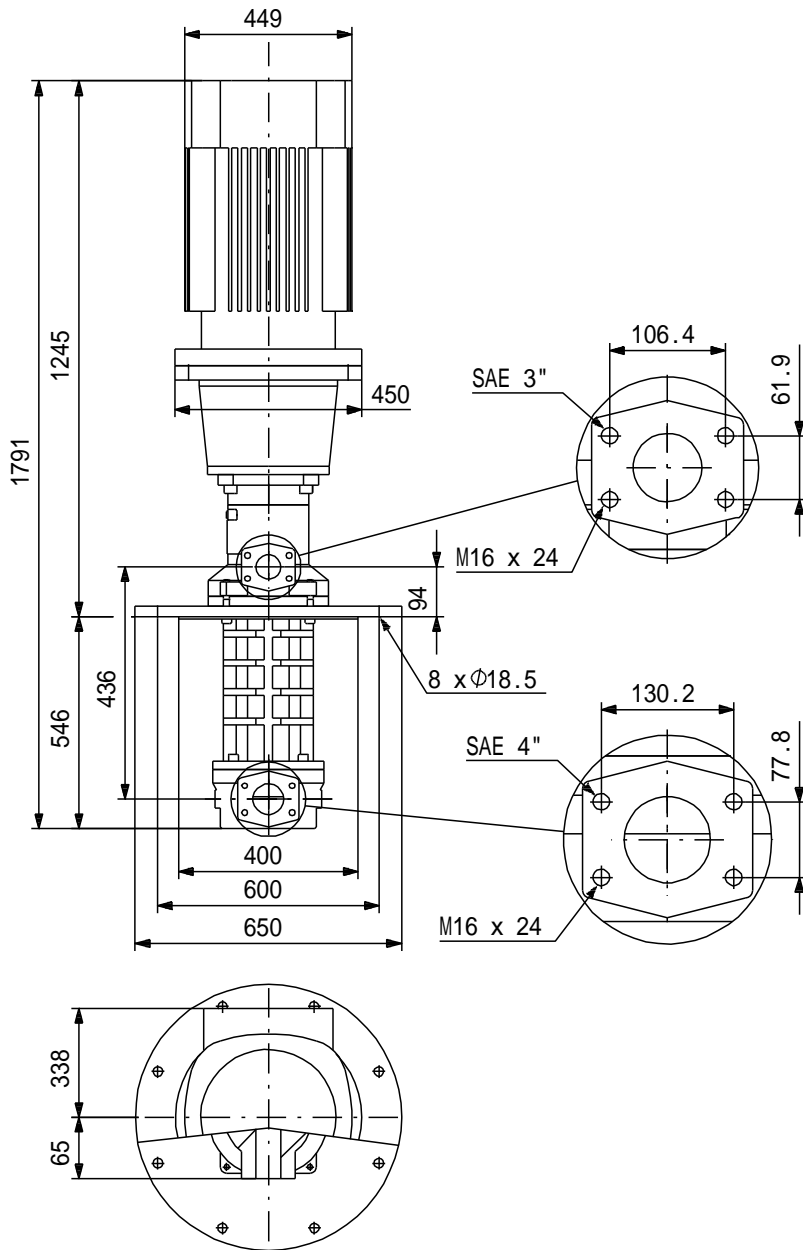
MTS 440-20 R40 D8.6 60 Hz



MTS 440-20 R40 D8.6	
EAN	:
가	3500 rpm
:	804 l/min
1	D8.6
가:	CE
:	A
:	55 °C
:	20 bar
:	SAE 4"
:	SAE 3"
:	0 mm
:	FF400
:	Emulsion
:	80 °C
:	20 °C
:	998.2 kg/m ³
:	SIEMENS
IE	NEMA Premium / IE3 60Hz
- P2:	45 kW
(P2):	33.9 kW
:	60 Hz
:	3 x 380-420D/660-725Y V
:	81,0-73,0/47,0-42,0 A
:	760-760 %
cos phi -	0.90
:	3555 rpm
:	IE3 94,2%
:	94.2-94.2 %
3/4	94.3-94.3 %
1/2	93.7-93.7 %
:	2
(IEC 34-5):	55 Dust/Jetting
(IEC 85):	F
:	PTC
:	83U15236
Pos term	12 o'clock
:	579 kg
:	3 %
:	40



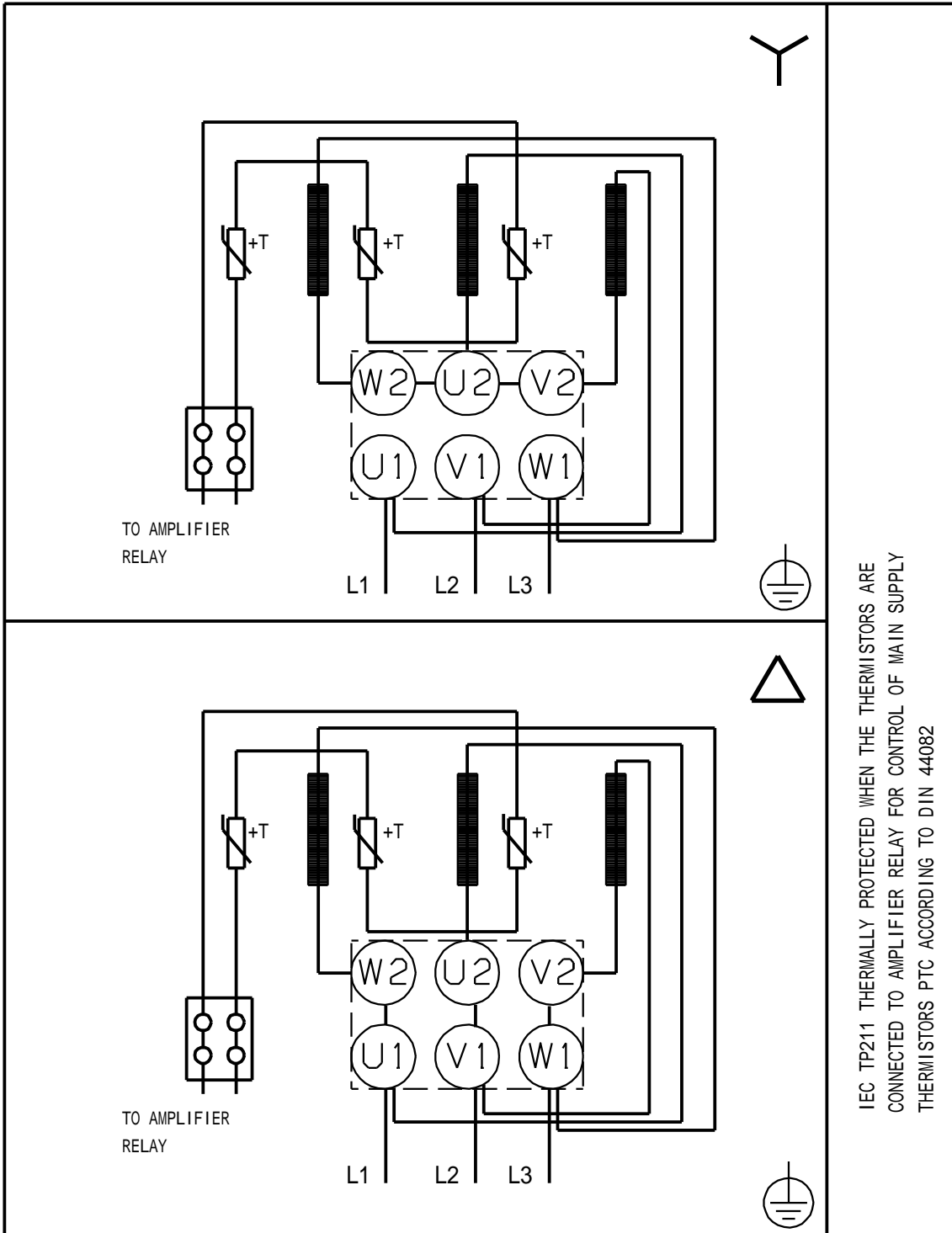
MTS 440-20 R40 D8.6 60 Hz



!

[mm]

MTS 440-20 R40 D8.6 60 Hz



IEC TP211 THERMALLY PROTECTED WHEN THE THERMISTORS ARE
CONNECTED TO AMPLIFIER RELAY FOR CONTROL OF MAIN SUPPLY
THERMISTORS PTC ACCORDING TO DIN 44082