

1 MTS 140-100 R46 D8.6



Screw spindle pump designed for pumping of cooling lubricants and cutting oils water/oil emulsion min. 3% for machine tool applications. The pump is designed to be mounted on top of tanks with pump immersed in the pumped liquid.

The pump has the following characteristics:

- High efficiency ensures very low heat input into the cooling lubricant.
- Axial thrust completely neutralised hydrostatically.
- Very wear resistant due specially hardened surfaces.
- D8.6 - mechanical shaft seal according to EN 12756.
- Power transmission via cast iron flexible coupling.

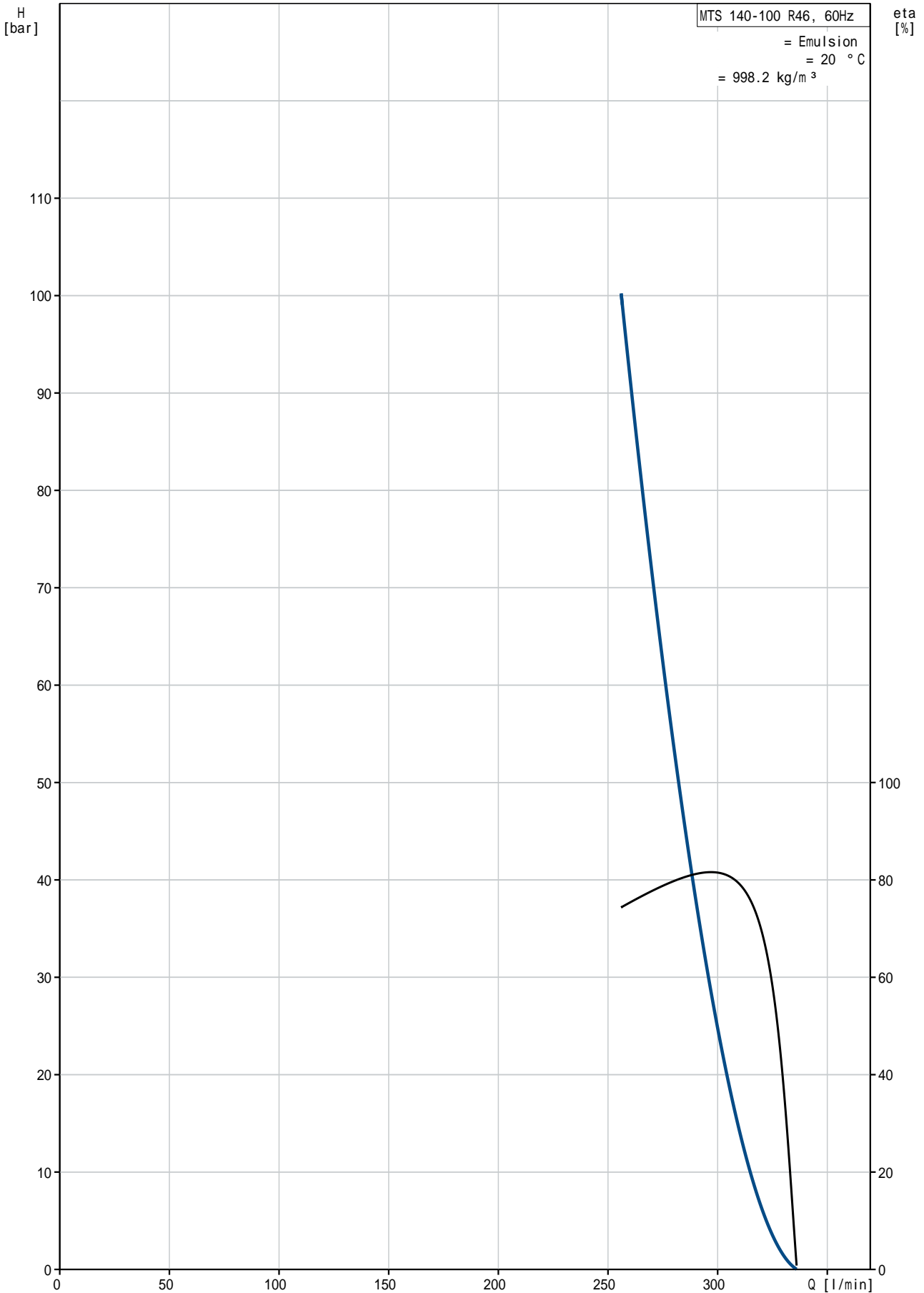
The motor is a 3-phase AC motor.

|           |   |                         |
|-----------|---|-------------------------|
| :         | : | Emulsion                |
| :         | : | 80 °C                   |
| :         | : | 20 °C                   |
| :         | : | 998.2 kg/m <sup>3</sup> |
| :         | 가 | : 3500 rpm              |
| 1         | : | 256 l/min               |
| 가:        | : | D8.6                    |
| :         | : | CE, EAC                 |
| :         | : | 55 °C                   |
| :         | : | 100 bar                 |
| :         | : | SAE 2"                  |
| :         | : | G 1 1/4" / SAE 1 1/2"   |
| :         | : | 0 mm                    |
| :         | : | FF500                   |
| IE        | : | SIEMENS                 |
| - P2:     | : | NEMA Premium / IE3 60Hz |
| (P2):     | : | 75 kW                   |
| :         | : | 57.3 kW                 |
| :         | : | 60 Hz                   |
| :         | : | 3 x 380-420D/660-725Y V |
| :         | : | 135-122/79,0-70,0 A     |
| cos phi - | : | 740-740 %               |
| :         | : | 0.90                    |
| :         | : | 3565 rpm                |

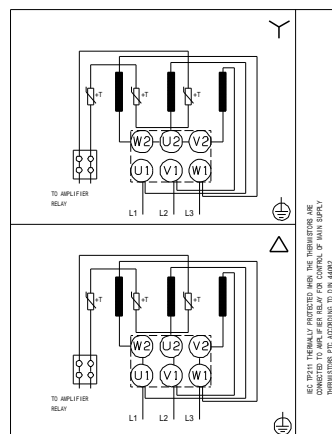
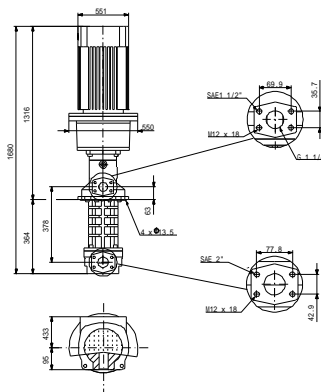
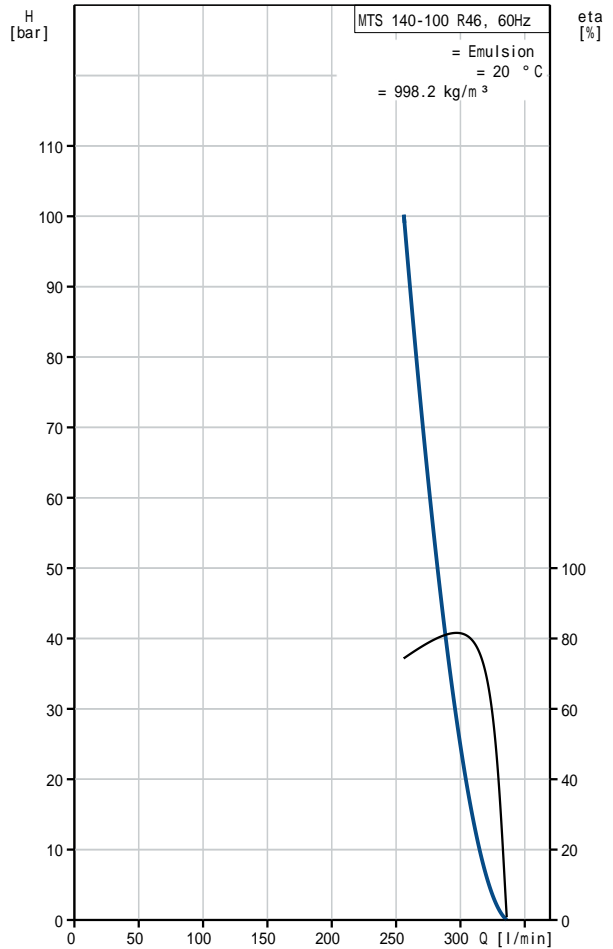
---

|             |   |                 |
|-------------|---|-----------------|
| :           | : | IE3 94,1%       |
|             | : | 94.1-94.1 %     |
| 3/4         | : | 93.6-93.6 %     |
| 1/2         | : | 92.4-92.4 %     |
| :           | : | 2               |
| (IEC 34-5): | : | 55 Dust/Jetting |
| (IEC 85):   | : | F               |
| :           | : |                 |
| :           | : | 610 kg          |

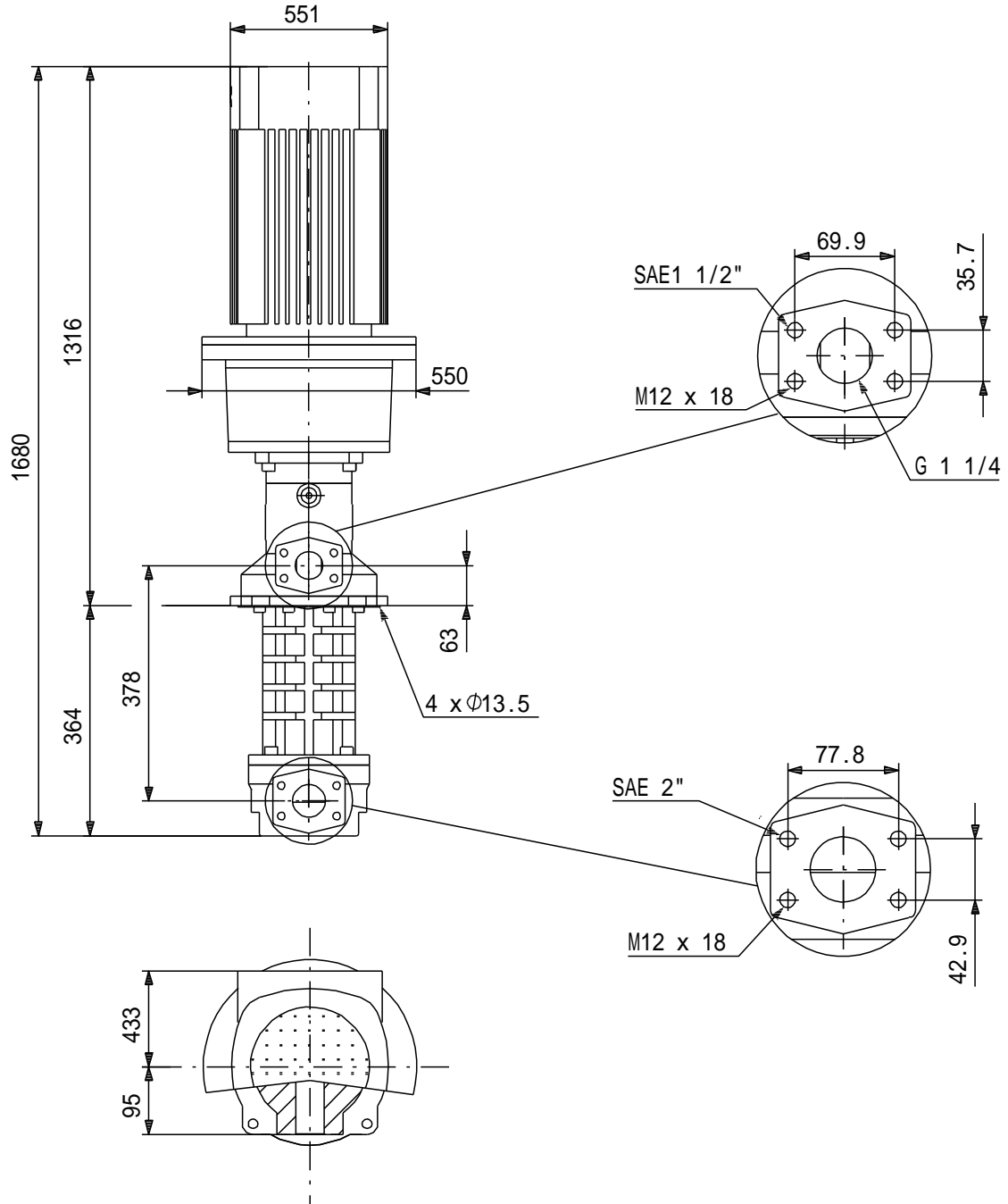
# MTS 140-100 R46 D8.6 60 Hz



|                      |                         |
|----------------------|-------------------------|
| MTS 140-100 R46 D8.6 |                         |
| EAN                  |                         |
| 가                    | 3500 rpm                |
|                      | 256 l/min               |
| 1                    | D8.6                    |
| 가:                   | CE, EAC                 |
|                      | A                       |
|                      | 55 °C                   |
|                      | 100 bar                 |
|                      | SAE 2"                  |
|                      | G 1 1/4" / SAE 1 1/2"   |
|                      | 0 mm                    |
|                      | FF500                   |
|                      | DRY                     |
|                      | Emulsion                |
|                      | 80 °C                   |
|                      | 20 °C                   |
|                      | 998.2 kg/m <sup>3</sup> |
|                      | SIEMENS                 |
| IE                   | NEMA Premium / IE3 60Hz |
| - P2:                | 75 kW                   |
| (P2):                | 57.3 kW                 |
|                      | 60 Hz                   |
|                      | 3 x 380-420D/660-725Y V |
|                      | 135-122/79,0-70,0 A     |
|                      | 740-740 %               |
| cos phi -            | 0.90                    |
|                      | 3565 rpm                |
|                      | IE3 94,1%               |
|                      | 94.1-94.1 %             |
| 3/4                  | 93.6-93.6 %             |
| 1/2                  | 92.4-92.4 %             |
|                      | 2                       |
| (IEC 34-5):          | 55 Dust/Jetting         |
| (IEC 85):            | F                       |
|                      | PTC                     |
|                      | 83U15240                |
| Pos term             | 12 o'clock              |
|                      | 610 kg                  |
|                      | 3 %                     |
|                      | 46                      |



MTS 140-100 R46 D8.6 60 Hz



!

[mm]

MTS 140-100 R46 D8.6 60 Hz



IEC TP211 THERMALLY PROTECTED WHEN THE THERMISTORS ARE  
CONNECTED TO AMPLIFIER RELAY FOR CONTROL OF MAIN SUPPLY  
THERMISTORS PTC ACCORDING TO DIN 44082