

1 MTS 140-60 R46 DQ



Screw spindle pump designed for pumping of cooling lubricants and cutting oils water/oil emulsion min. 3% for machine tool applications. The pump is designed to be mounted on top of tanks with pump immersed in the pumped liquid.

The pump has the following characteristics:

- High efficiency ensures very low heat input into the cooling lubricant.
- Axial thrust completely neutralised hydrostatically.
- Very wear resistant due specially hardened surfaces.
- DQ - shaft seal ring.
- Power transmission via cast iron flexible coupling.

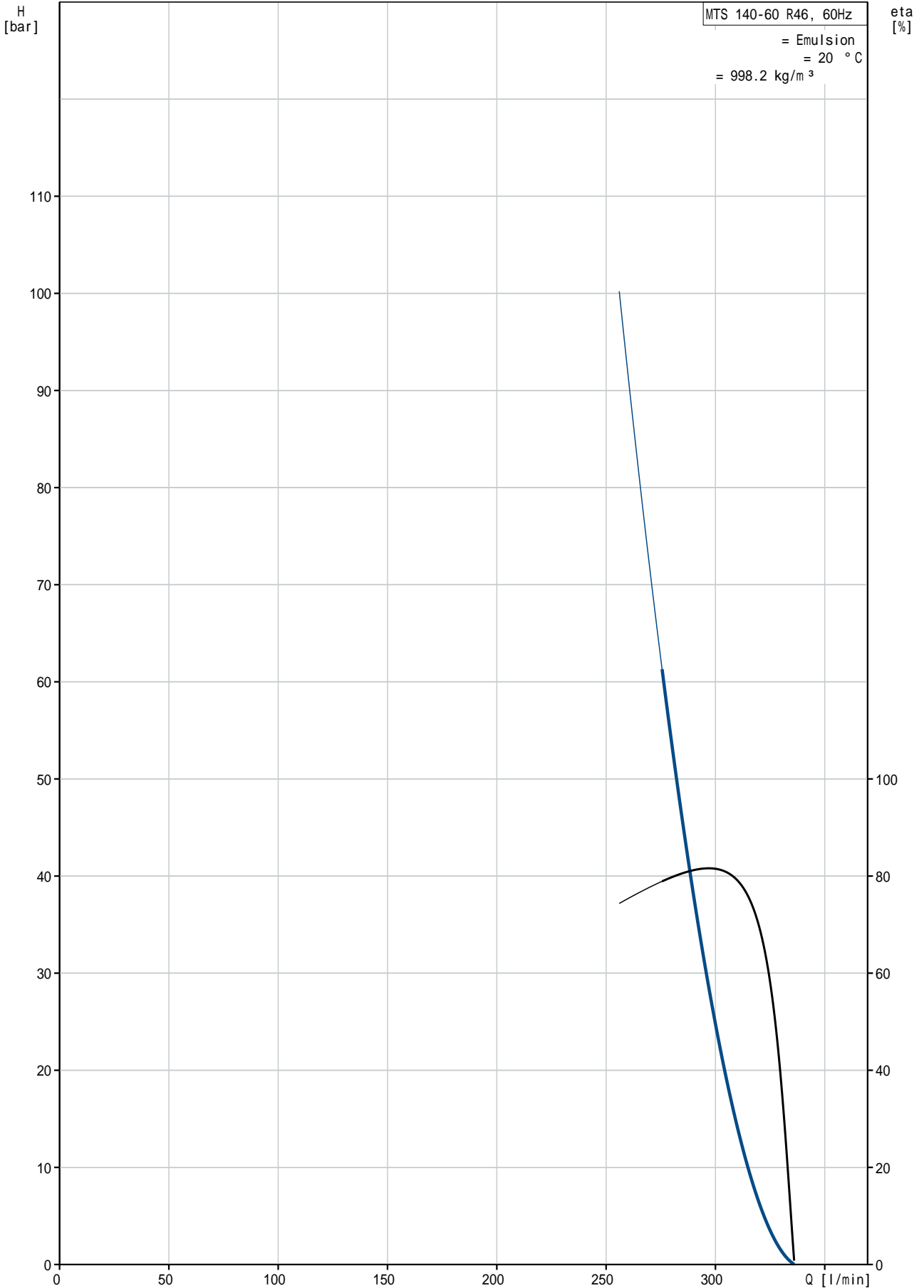
The motor is a 3-phase AC motor.

:	:	Emulsion
:	:	80 °C
:	:	20 °C
:	:	998.2 kg/m ³
:	가	: 3500 rpm
1	:	276 l/min
가:	:	DQ
:	:	CE
:	:	55 °C
:	:	60 bar
:	:	G2"
:	:	G 1 1/4" / SAE 1 1/2"
:	:	386 mm
:	:	FF350
IE	:	SIEMENS
- P2:	:	NEMA Premium / IE3 60Hz
(P2):	:	37 kW
:	:	34.9 kW
:	:	60 Hz
:	:	3 x 380-420D/660-725Y V
:	:	69,0-62,0/38,5-35,0 A
:	:	580-580 %
cos phi -	:	0.90
:	:	3540 rpm
:	:	IE3 93,0%
3/4	:	93.0-93.0 %
1/2	:	93.3-93.3 %
:	:	92.7-92.7 %
:	:	2
(IEC 34-5):	:	55 Dust/Jetting

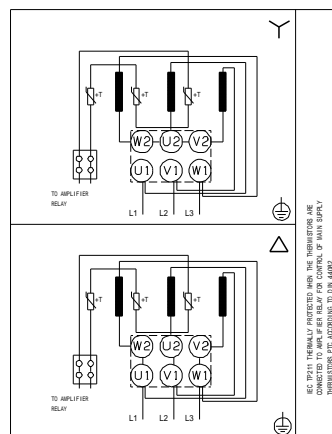
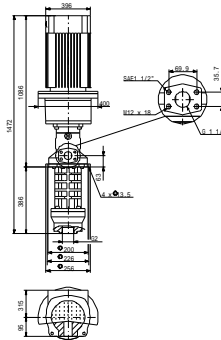
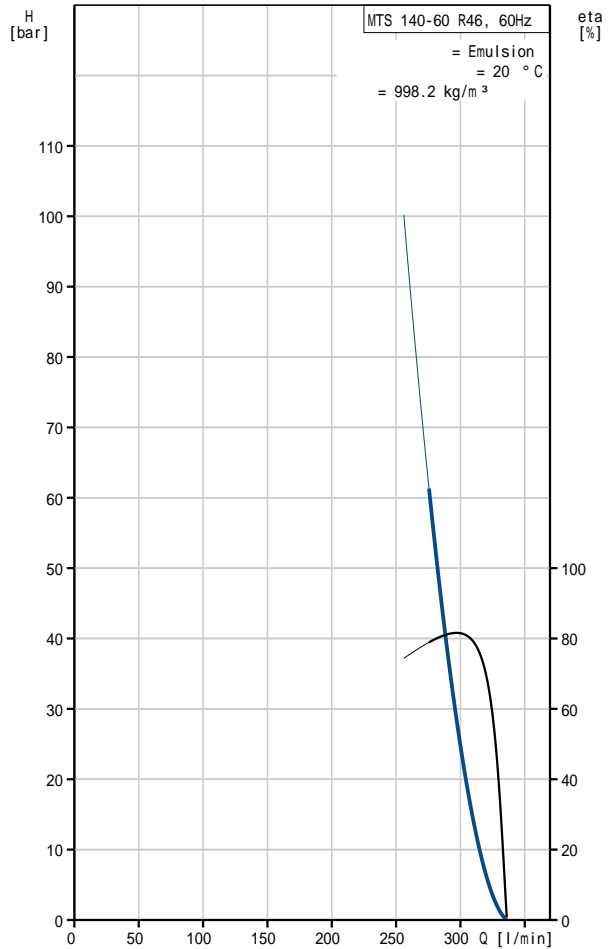
(IEC 85): F

:
: 342 kg

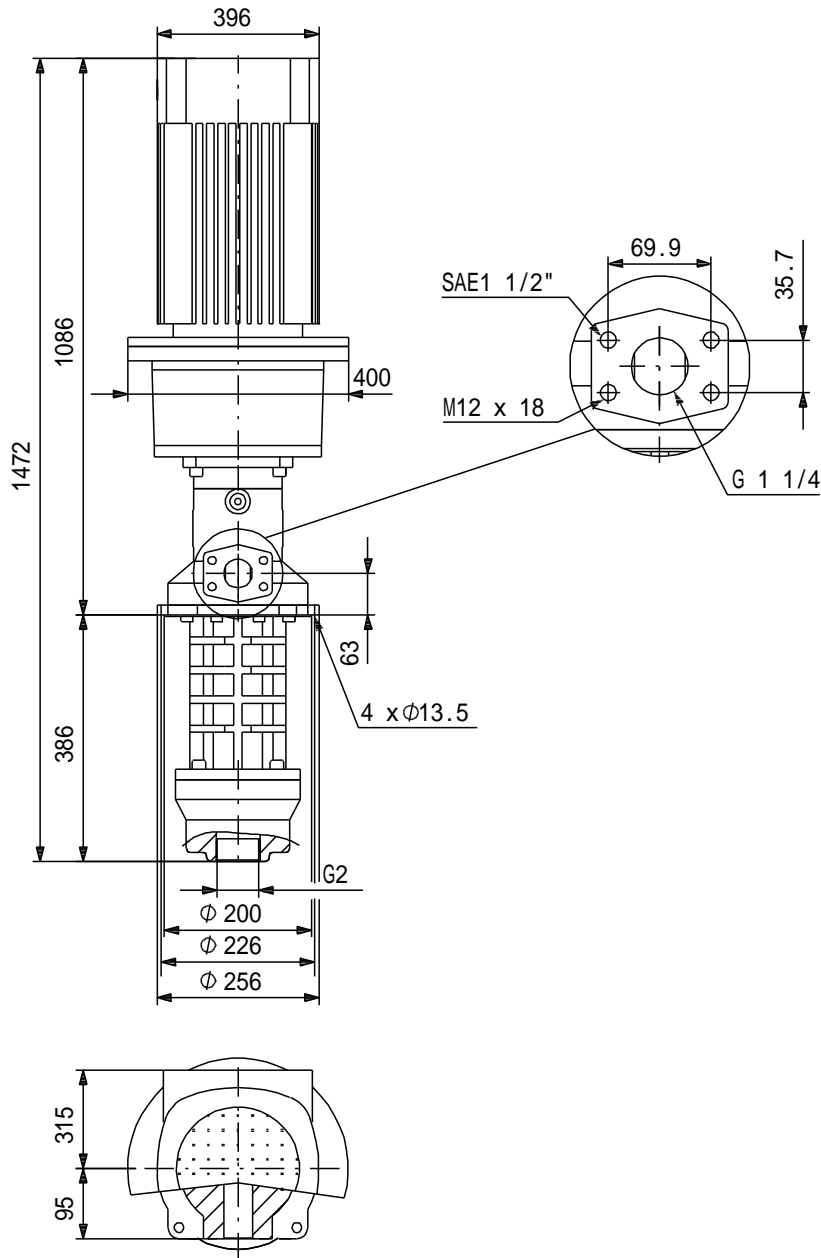
MTS 140-60 R46 DQ 60 Hz



MTS 140-60 R46 DQ	
EAN	
가	3500 rpm
	276 l/min
1	DQ
가:	CE
	A
	55 °C
	60 bar
	G2"
	G 1 1/4" / SAE 1 1/2"
	386 mm
	FF350
	Emulsion
	80 °C
	20 °C
	998.2 kg/m ³
	SIEMENS
IE	NEMA Premium / IE3 60Hz
- P2:	37 kW
(P2):	34.9 kW
	60 Hz
	3 x 380-420D/660-725Y V
	69,0-62,0/38,5-35,0 A
	580-580 %
cos phi -	0.90
	3540 rpm
	IE3 93,0%
	93.0-93.0 %
3/4	93.3-93.3 %
1/2	92.7-92.7 %
	2
(IEC 34-5):	55 Dust/Jetting
(IEC 85):	F
	PTC
	83U15234
Pos term	12 o'clock
	342 kg
	3 %
	46



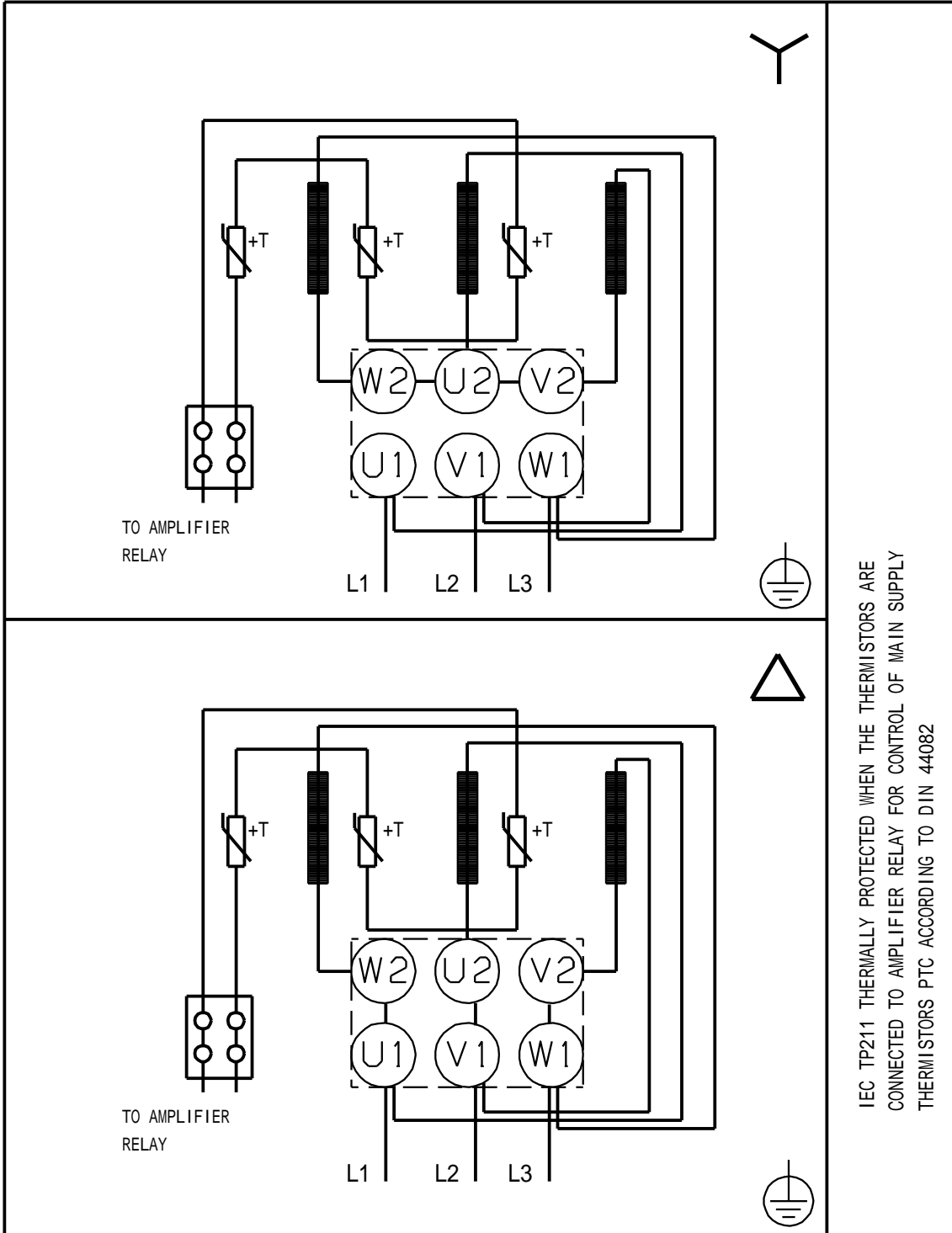
MTS 140-60 R46 DQ 60 Hz



!

[mm]

MTS 140-60 R46 DQ 60 Hz



IEC TP211 THERMALLY PROTECTED WHEN THE THERMISTORS ARE
CONNECTED TO AMPLIFIER RELAY FOR CONTROL OF MAIN SUPPLY
THERMISTORS PTC ACCORDING TO DIN 44082