

1 MTS 140-50 R39 DQ



Screw spindle pump designed for pumping of cooling lubricants and cutting oils water/oil emulsion min. 3% for machine tool applications. The pump is designed to be mounted on top of tanks with pump immersed in the pumped liquid.

The pump has the following characteristics:

- High efficiency ensures very low heat input into the cooling lubricant.
- Axial thrust completely neutralised hydrostatically.
- Very wear resistant due specially hardened surfaces.
- DQ - shaft seal ring.
- Power transmission via cast iron flexible coupling.

The motor is a 3-phase AC motor.

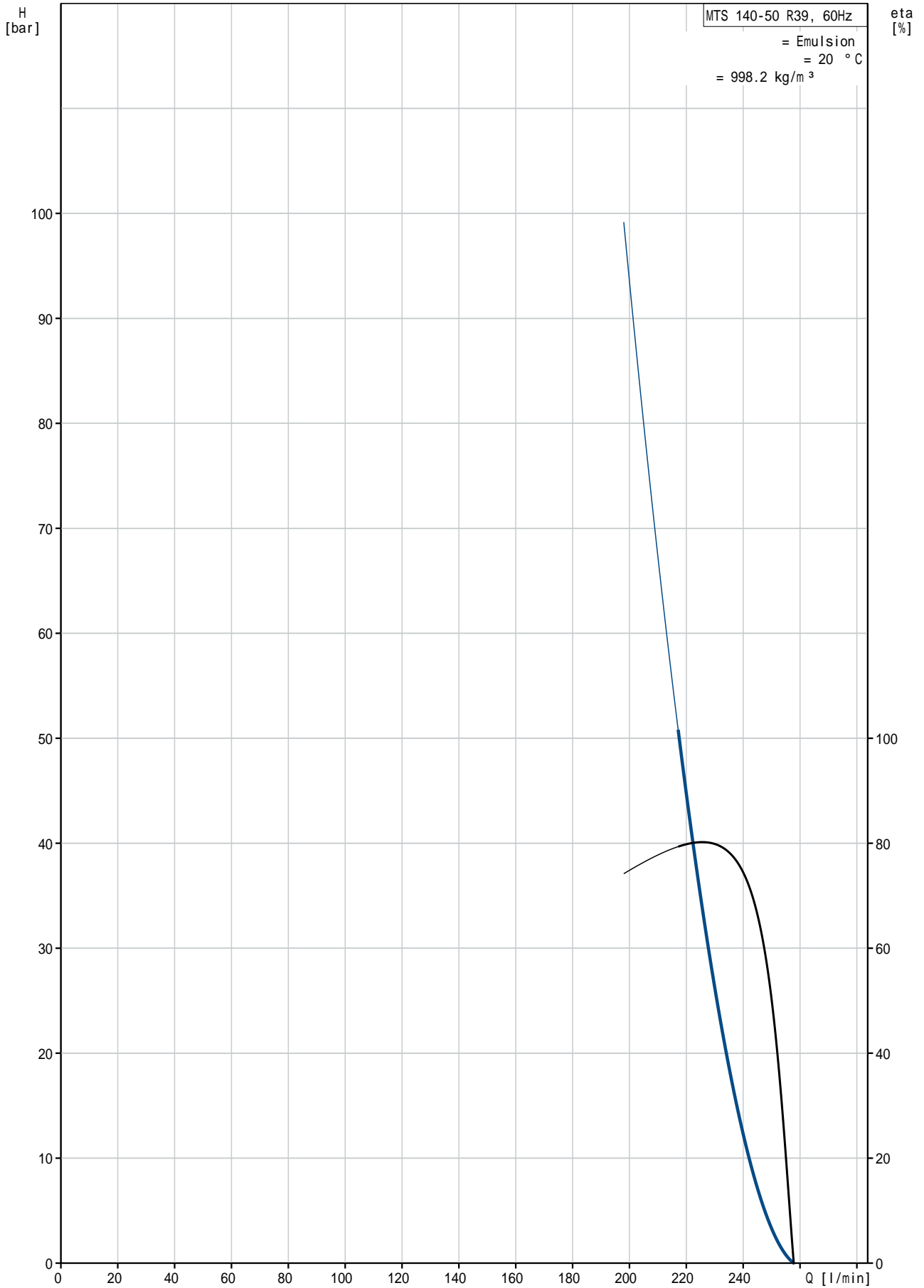
|             |   |                         |
|-------------|---|-------------------------|
| :           | : | Emulsion                |
| :           | : | 80 °C                   |
| :           | : | 20 °C                   |
| :           | : | 998.2 kg/m <sup>3</sup> |
| :           | 가 | : 3500 rpm              |
| 1           | : | 218 l/min               |
| 가:          | : | DQ                      |
| :           | : | CE                      |
| :           | : | 55 °C                   |
| :           | : | 50 bar                  |
| :           | : | G2"                     |
| :           | : | G 1 1/4" / SAE 1 1/2"   |
| :           | : | 386 mm                  |
| :           | : | FF350                   |
| IE          | : | SIEMENS                 |
| - P2:       | : | NEMA Premium / IE3 60Hz |
| (P2):       | : | 30 kW                   |
| :           | : | 22.8 kW                 |
| :           | : | 60 Hz                   |
| :           | : | 3 x 380-420D/660-725Y V |
| :           | : | 56,0-50,0/32,0-29,0 A   |
| cos phi -   | : | 610-610 %               |
| :           | : | 0.89                    |
| :           | : | 3545 rpm                |
| :           | : | IE3 92,4%               |
| 3/4         | : | 92.4-92.4 %             |
| 1/2         | : | 92.8-92.8 %             |
| :           | : | 92.5-92.5 %             |
| :           | : | 2                       |
| (IEC 34-5): | : | 55 Dust/Jetting         |

(IEC 85): F

:

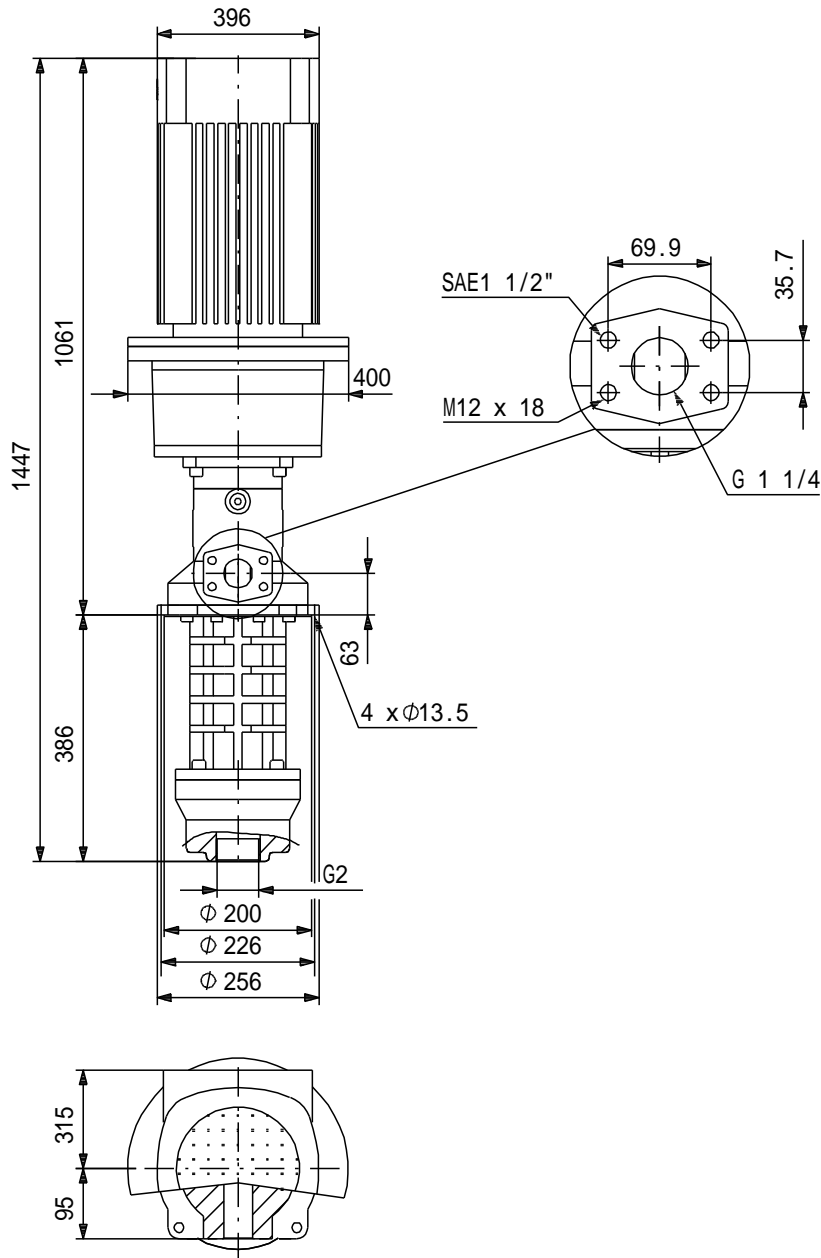
: 317 kg

# MTS 140-50 R39 DQ 60 Hz





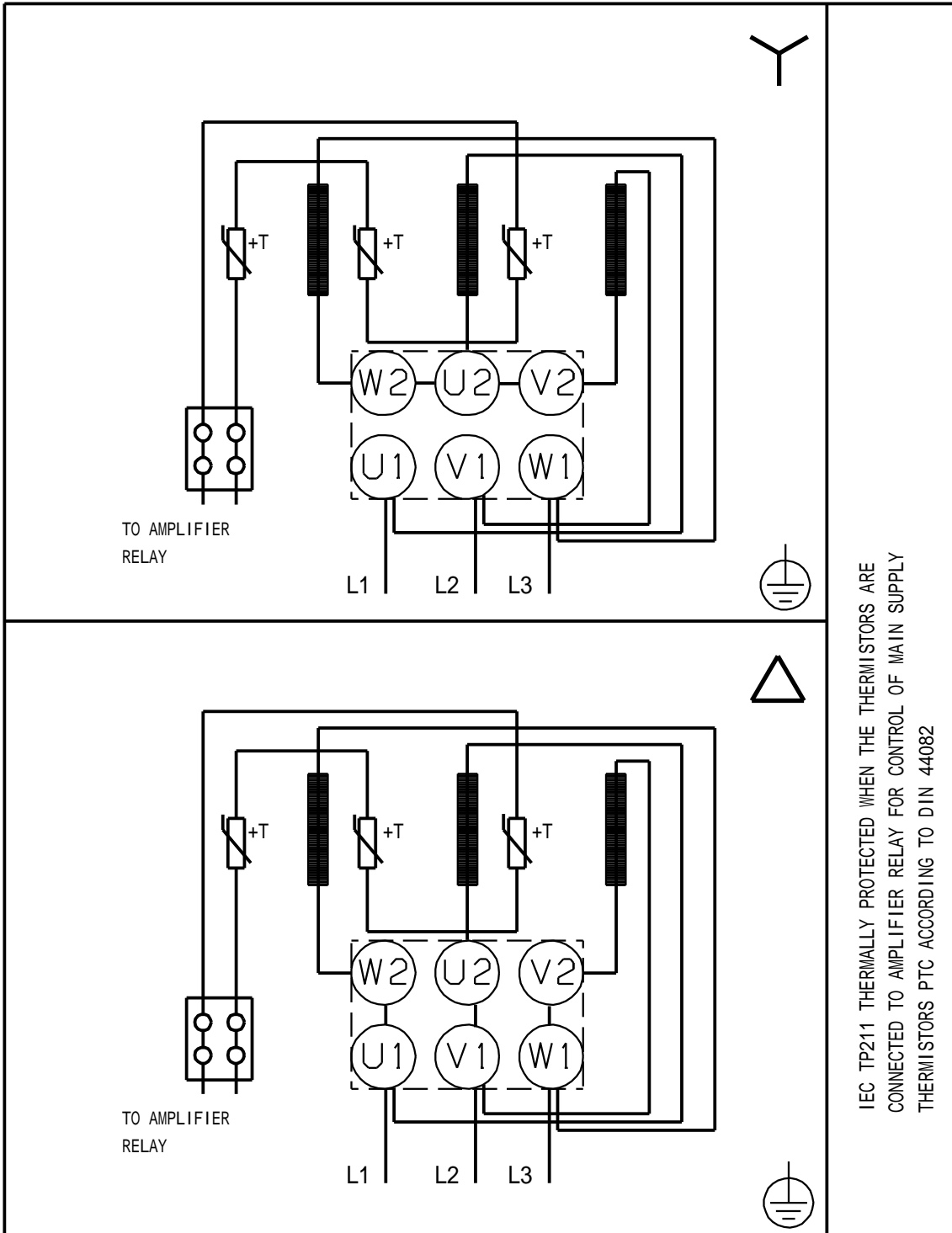
# MTS 140-50 R39 DQ 60 Hz



!

[mm]

MTS 140-50 R39 DQ 60 Hz



IEC TP211 THERMALLY PROTECTED WHEN THE THERMISTORS ARE  
CONNECTED TO AMPLIFIER RELAY FOR CONTROL OF MAIN SUPPLY  
THERMISTORS PTC ACCORDING TO DIN 44082