

1 MTS 40-40 R38 DQ



Screw spindle pump designed for pumping of cooling lubricants and cutting oils water/oil emulsion min. 3% for machine tool applications. The pump is designed to be mounted on top of tanks with pump immersed in the pumped liquid.

The pump has the following characteristics:

- High efficiency ensures very low heat input into the cooling lubricant.
- Axial thrust completely neutralised hydrostatically.
- Very wear resistant due specially hardened surfaces.
- DQ - shaft seal ring.
- Power transmission via cast iron flexible coupling.

The motor is a 3-phase AC motor.

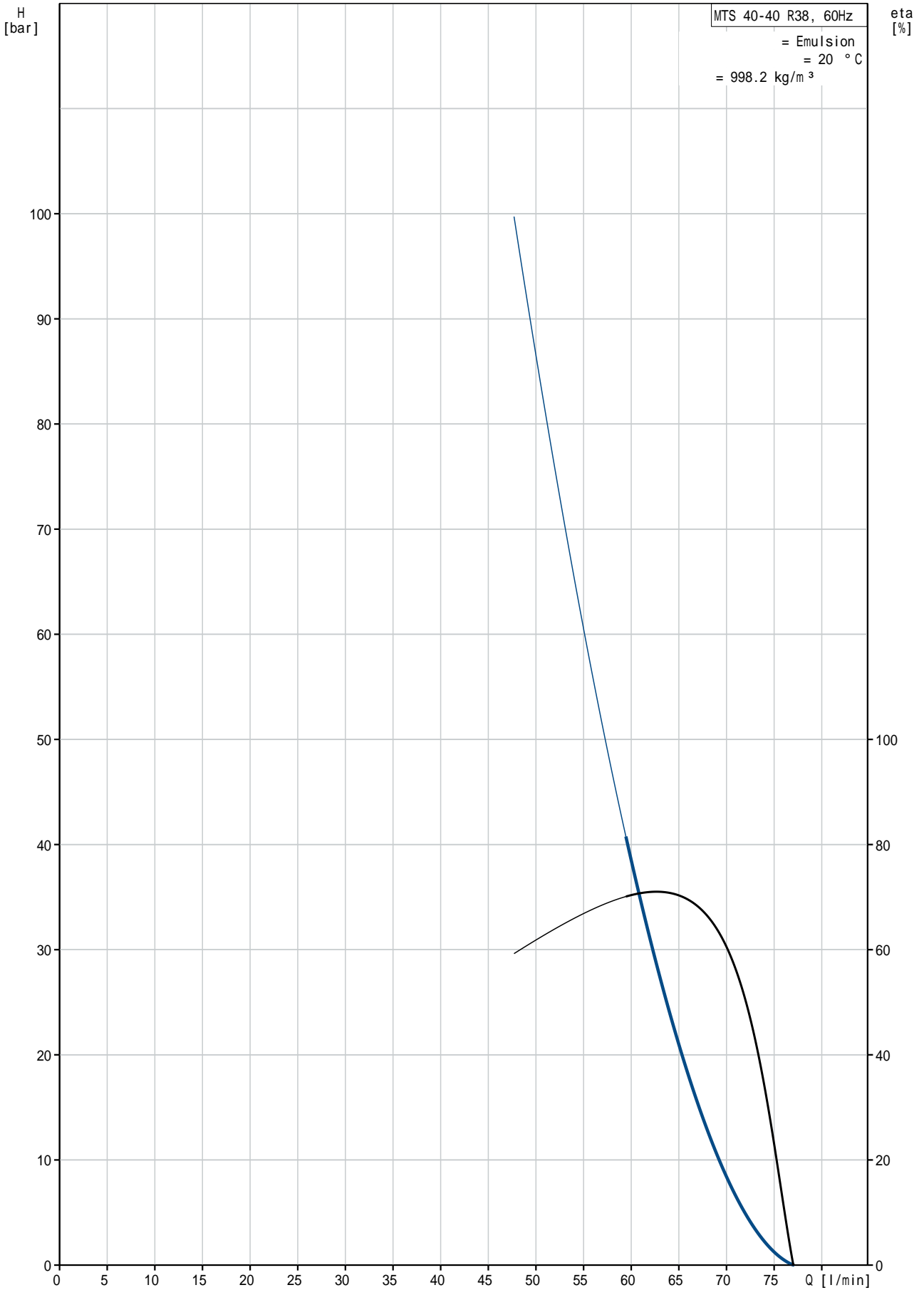
:	:	Emulsion
:	:	80 °C
:	:	20 °C
:	:	998.2 kg/m <sup>3</sup>
:	:	
:	가	: 3500 rpm
1	:	59.7 l/min
:	:	DQ
가:	:	CE,EAC
:	:	
:	:	60 °C
:	:	40 bar
:	:	G1 1/4"
:	:	G 3/4" / SAE 1"
:	:	286 mm
:	:	FF265
:	:	
IE	:	132SB
:	:	IE2 - IE3
- P2:	:	7.5 kW
(P2):	:	5.7 kW
:	:	60 Hz
:	:	3 x 380-480D/660-690Y V
:	:	14,2-12,0/8,20-8,10 A
:	:	680-1050 %
cos phi -	:	0.90-0.82
:	:	3490-3530 rpm
:	:	IE2 89,5% - IE3 90,2%
:	:	89.5-90.2 %
3/4	:	90.8 %
1/2	:	90.8 %
:	:	2
(IEC 34-5):	:	55 Dust/Jetting

(IEC 85): F

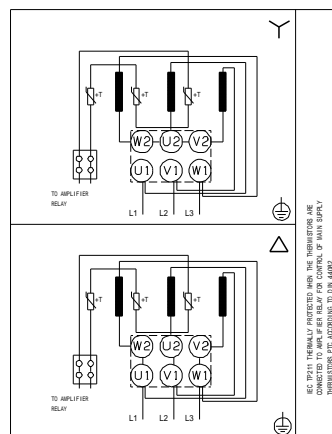
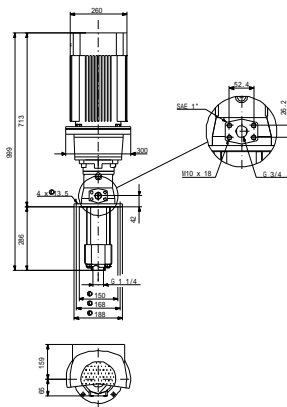
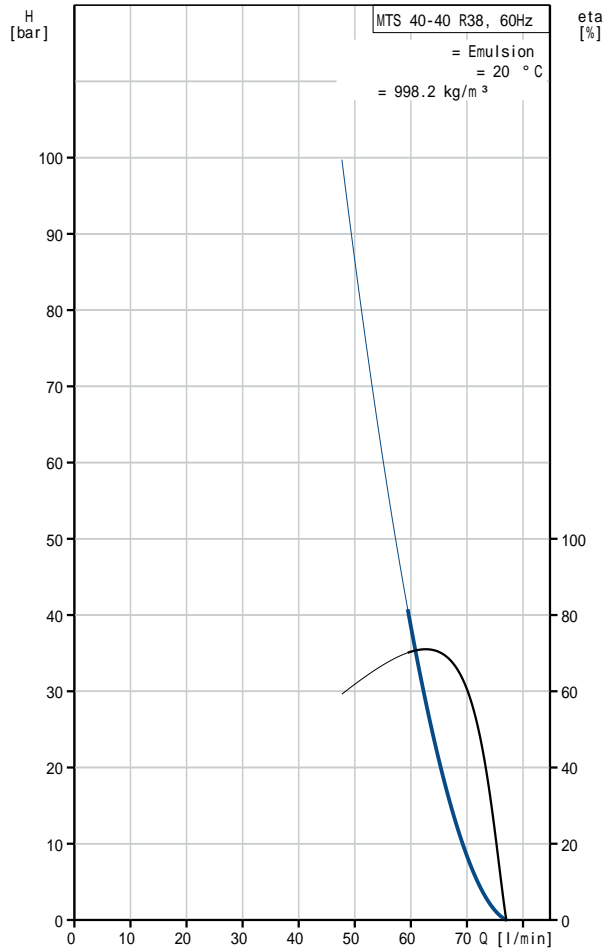
:

: 84.7 kg

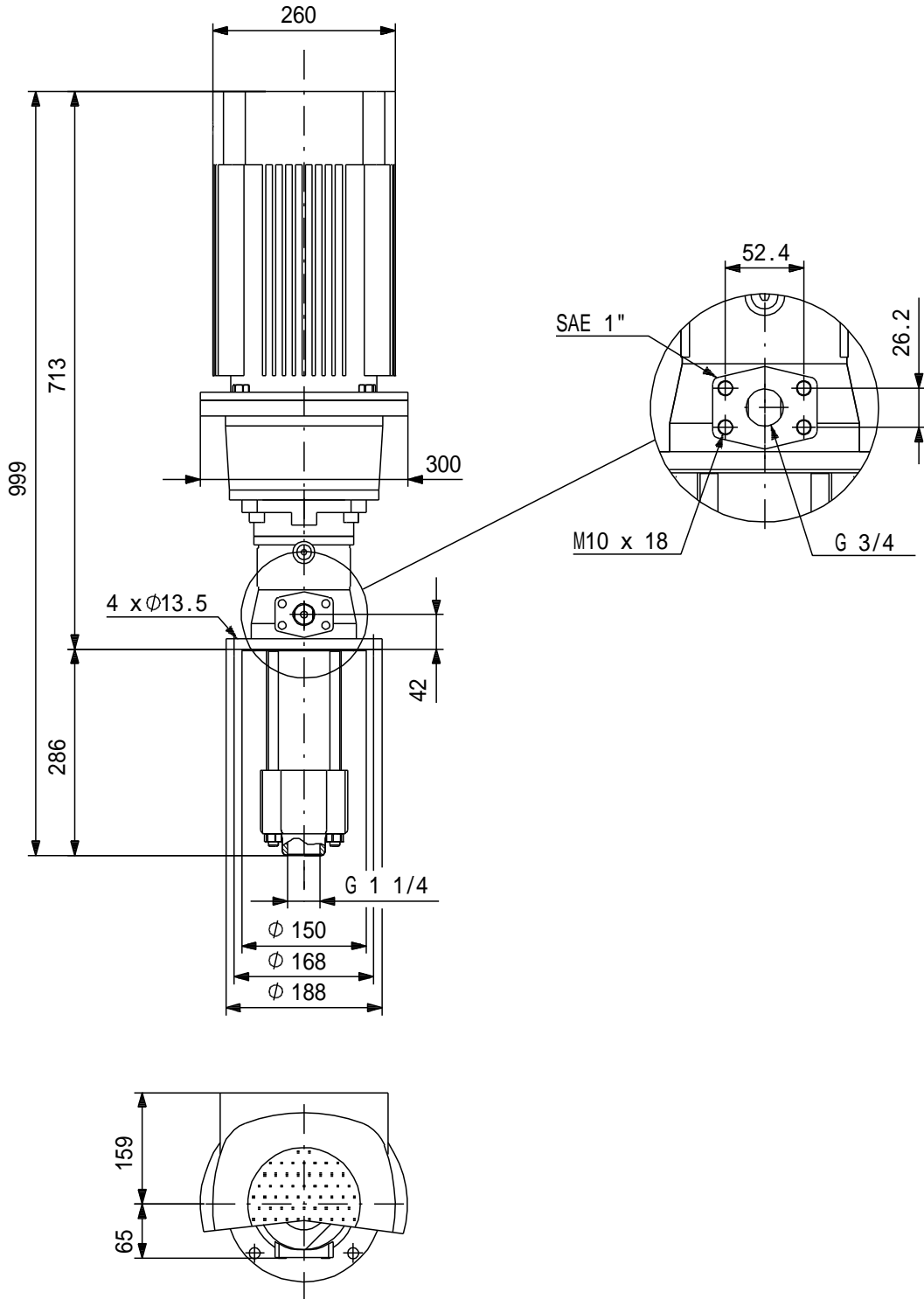
MTS 40-40 R38 DQ 60 Hz



MTS 40-40 R38 DQ	
EAN	
가	3500 rpm
	59.7 l/min
1	DQ
가:	CE, EAC
	A
	60 °C
	40 bar
	G1 1/4"
	G 3/4" / SAE 1"
	286 mm
	FF265
	Emulsion
	80 °C
	20 °C
	998.2 kg/m <sup>3</sup>
	132SB
IE	IE2 - IE3
- P2:	7.5 kW
(P2):	5.7 kW
	60 Hz
	3 x 380-480D/660-690Y V
	14,2-12,0/8,20-8,10 A
	680-1050 %
cos phi -	0.90-0.82
	3490-3530 rpm
	IE2 89,5% - IE3 90,2%
	89.5-90.2 %
3/4	90.8 %
1/2	90.8 %
	2
(IEC 34-5):	55 Dust/Jetting
(IEC 85):	F
	PTC
	87370232
Pos term	12 o'clock
	84.7 kg
	3 %
	38



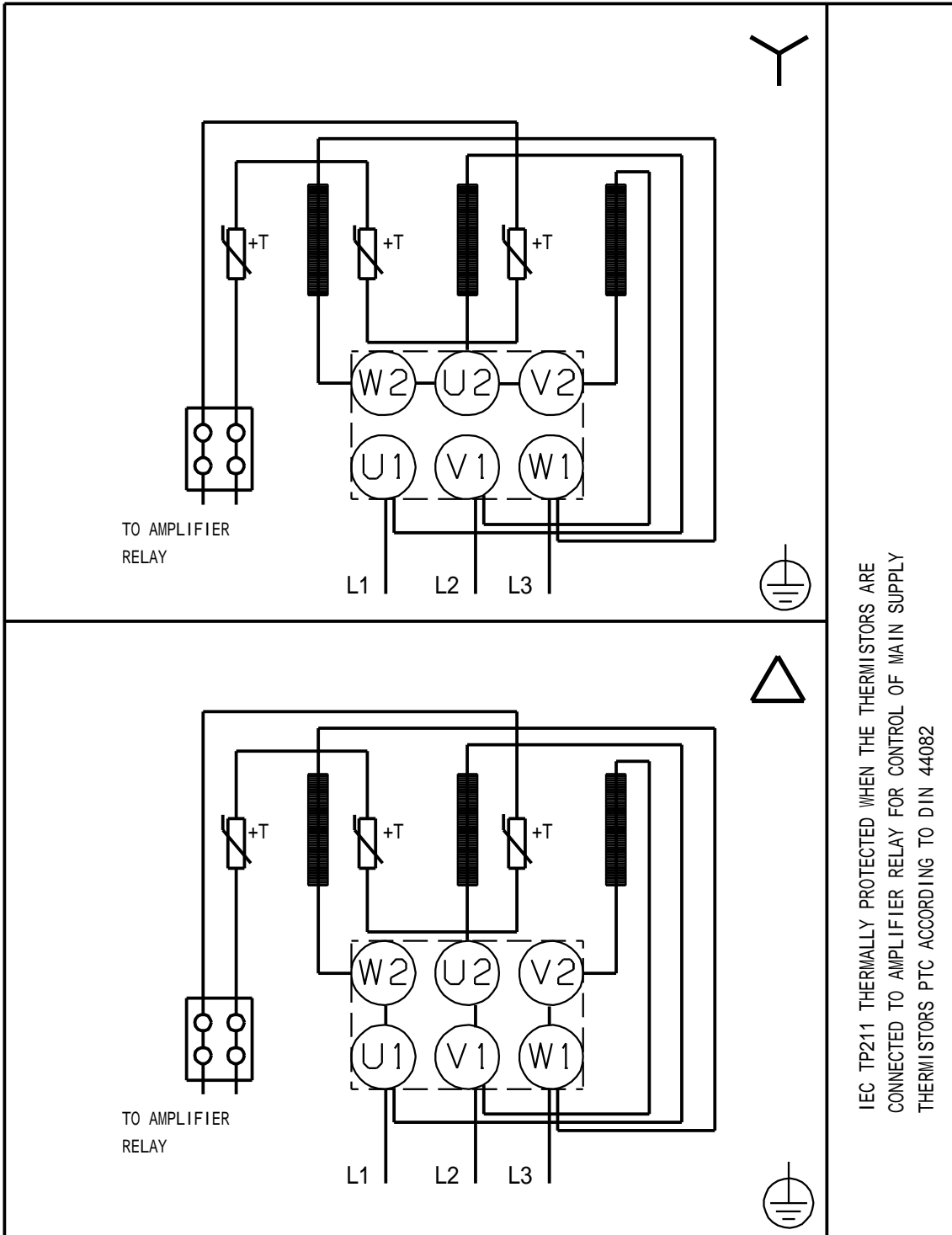
MTS 40-40 R38 DQ 60 Hz



!

[mm]

MTS 40-40 R38 DQ 60 Hz



IEC TP211 THERMALLY PROTECTED WHEN THE THERMISTORS ARE  
CONNECTED TO AMPLIFIER RELAY FOR CONTROL OF MAIN SUPPLY  
THERMISTORS PTC ACCORDING TO DIN 44082