

1 MTS 20-30 R28 D8.6



Screw spindle pump designed for pumping of cooling lubricants and cutting oils water/oil emulsion min. 3% for machine tool applications. The pump is designed to be mounted on top of tanks with pump immersed in the pumped liquid.

The pump has the following characteristics:

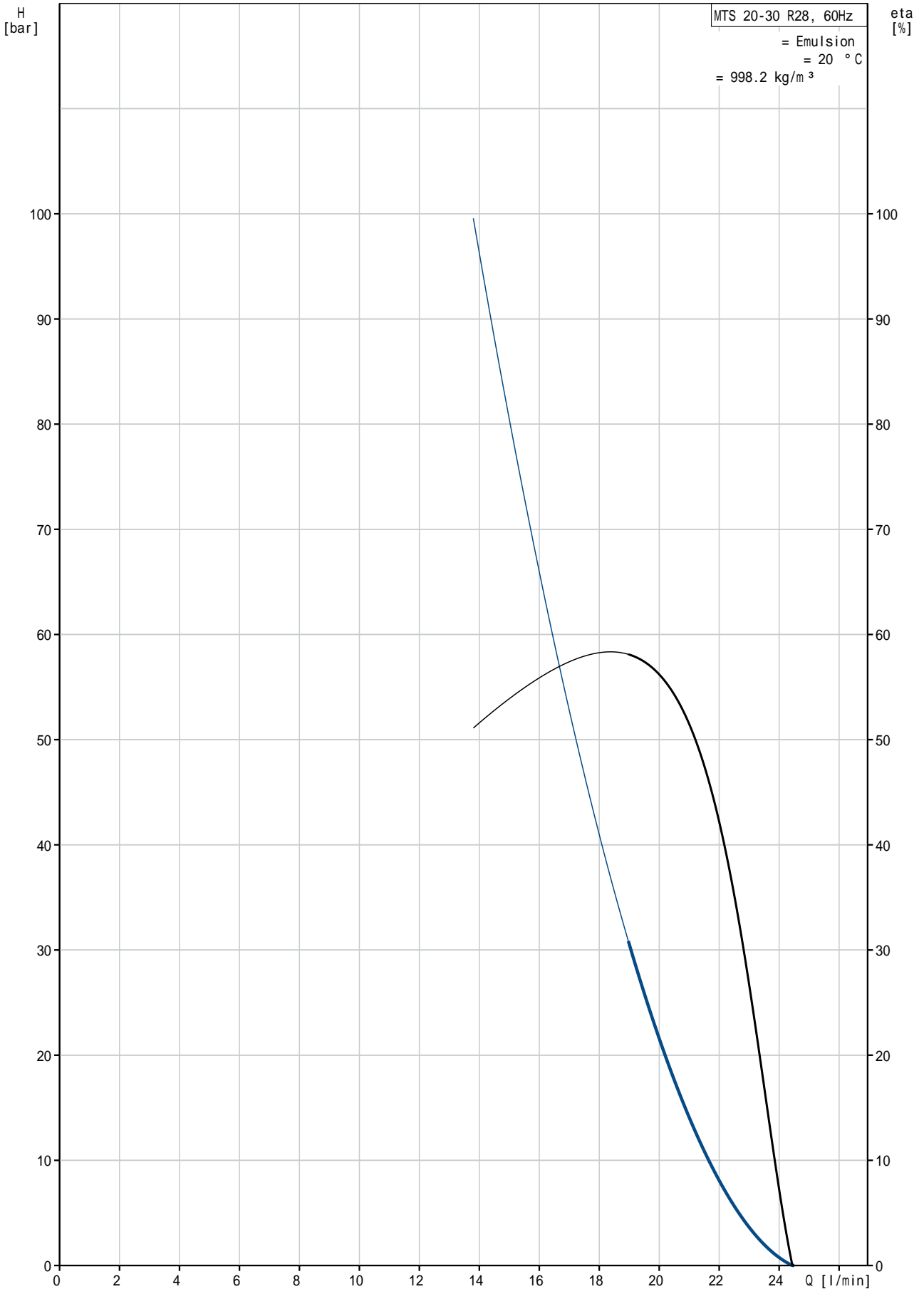
- High efficiency ensures very low heat input into the cooling lubricant.
- Axial thrust completely neutralised hydrostatically.
- Very wear resistant due specially hardened surfaces.
- D8.6 - mechanical shaft seal according to EN 12756.
- Power transmission via cast iron flexible coupling.

The motor is a 3-phase AC motor.

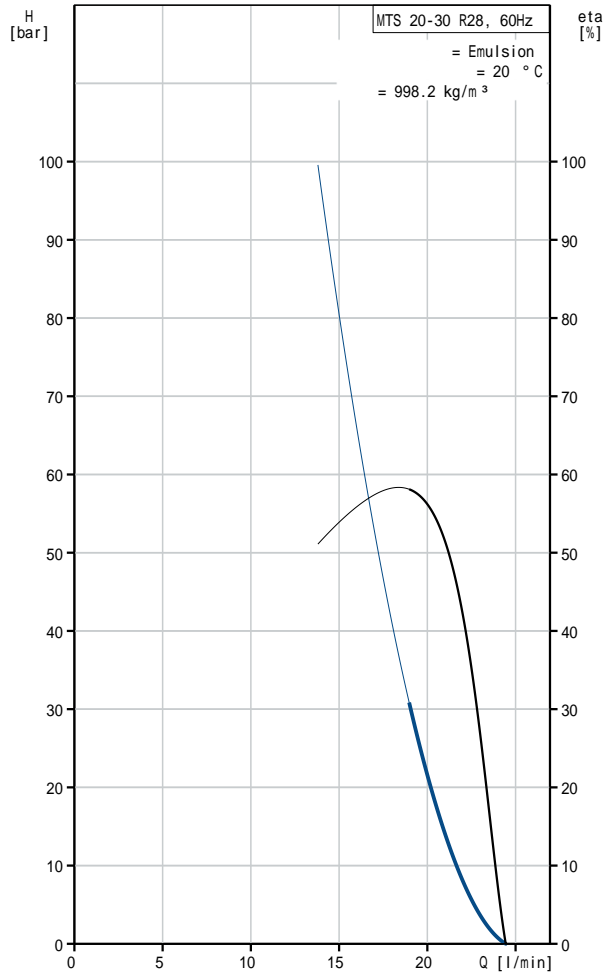
:	:	Emulsion
:	:	80 °C
:	:	20 °C
:	:	998.2 kg/m <sup>3</sup>
:	가	: 3500 rpm
1	:	19.1 l/min
가:	:	D8.6
:	:	CE,EAC
:	:	60 °C
:	:	30 bar
:	:	SAE 1 1/2"
:	:	G 3/4" / SAE 1"
:	:	0 mm
:	:	FF165
IE	:	90LC
- P2:	:	IE2 - IE3
(P2):	:	2.2 kW
:	:	1.6 kW
:	:	60 Hz
:	:	3 x 380-480 V
:	:	4.45-3.70 A
cos phi -	:	780-1100 %
:	:	0.91-0.85
:	:	3470-3530 rpm

: IE2 85,5% - IE3 86,5%  
: 85.5-86.5 %  
3/4 : 86.8 %  
1/2 : 86.0 %  
: 2  
(IEC 34-5): 55 Dust/Jetting  
(IEC 85): F  
:  
: 48.1 kg

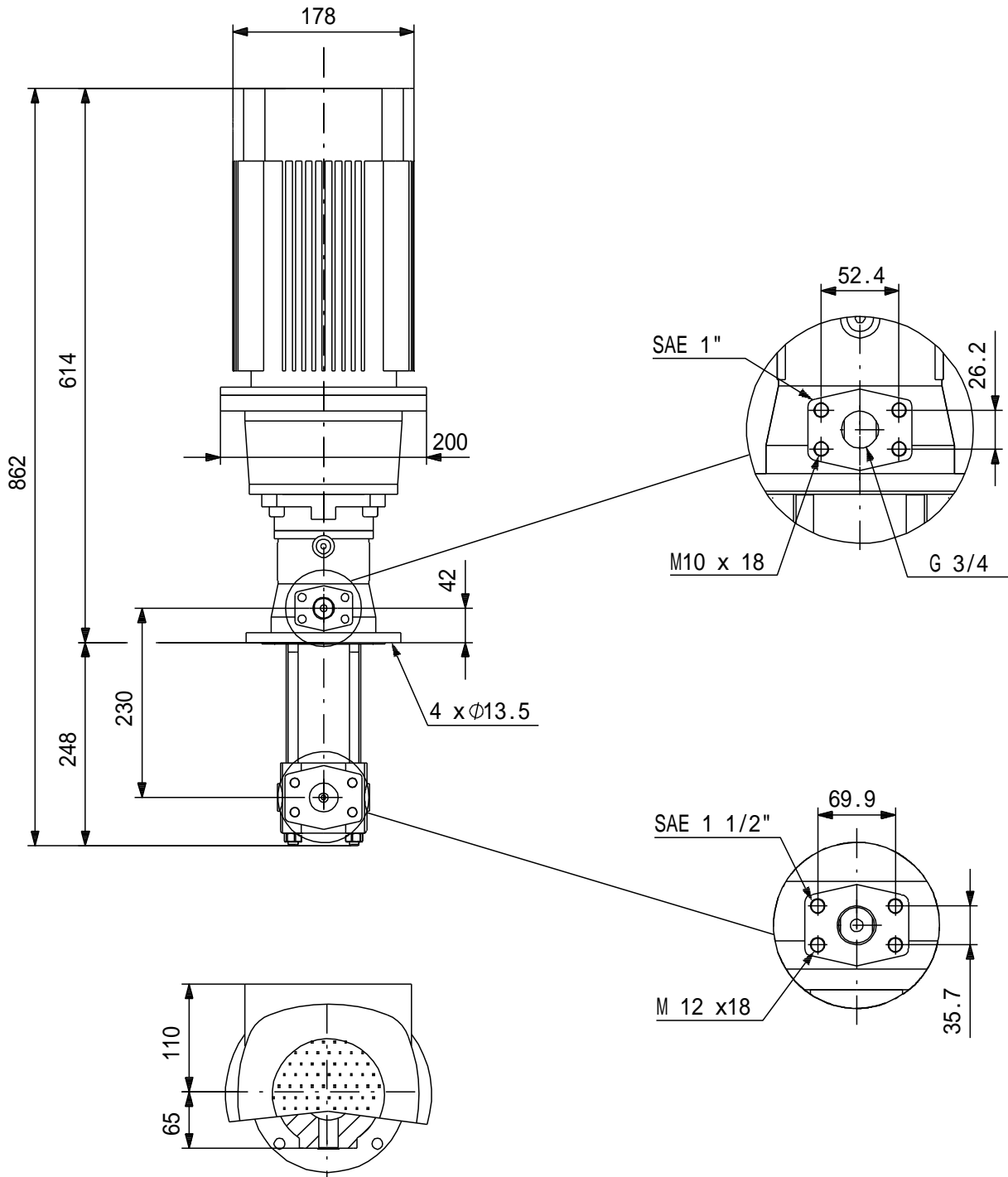
### MTS 20-30 R28 D8.6 60 Hz



MTS 20-30 R28 D8.6	
EAN	
가	: 3500 rpm
	: 19.1 l/min
1	: D8.6
가:	CE,EAC
	A
	60 °C
	30 bar
	SAE 1 1/2"
	G 3/4" / SAE 1"
	0 mm
	FF165
	DRY
	Emulsion
	80 °C
	20 °C
	998.2 kg/m <sup>3</sup>
	90LC
IE	: IE2 - IE3
- P2:	2.2 kW
(P2):	1.6 kW
	60 Hz
	3 x 380-480V
	4.45-3.70 A
	780-1100 %
cos phi -	: 0.91-0.85
	3470-3530 rpm
	IE2 85,5% - IE3 86,5%
	85.5-86.5 %
3/4	: 86.8 %
1/2	: 86.0 %
	2
(IEC 34-5):	55 Dust/Jetting
(IEC 85):	F
	87220294
Pos term	: 12 o'clock
	48.1 kg
	3 %
	28



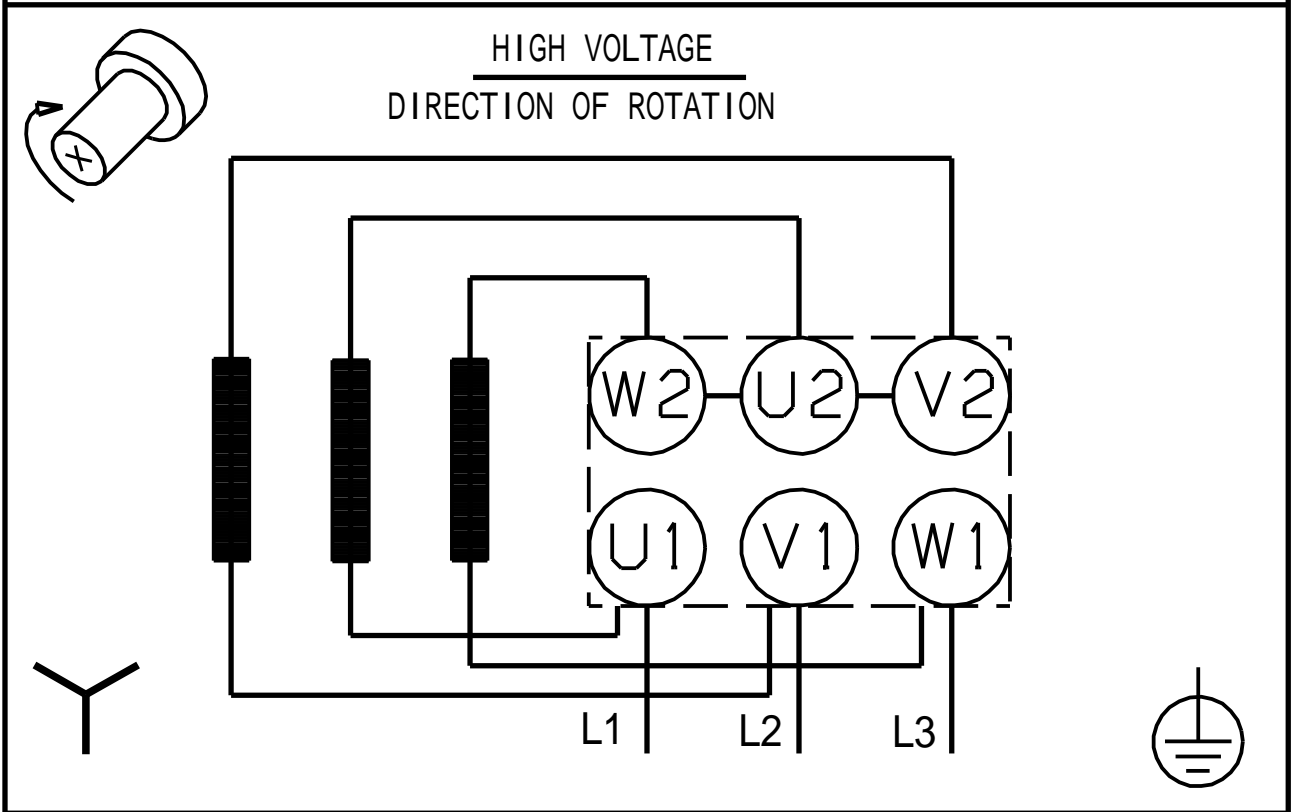
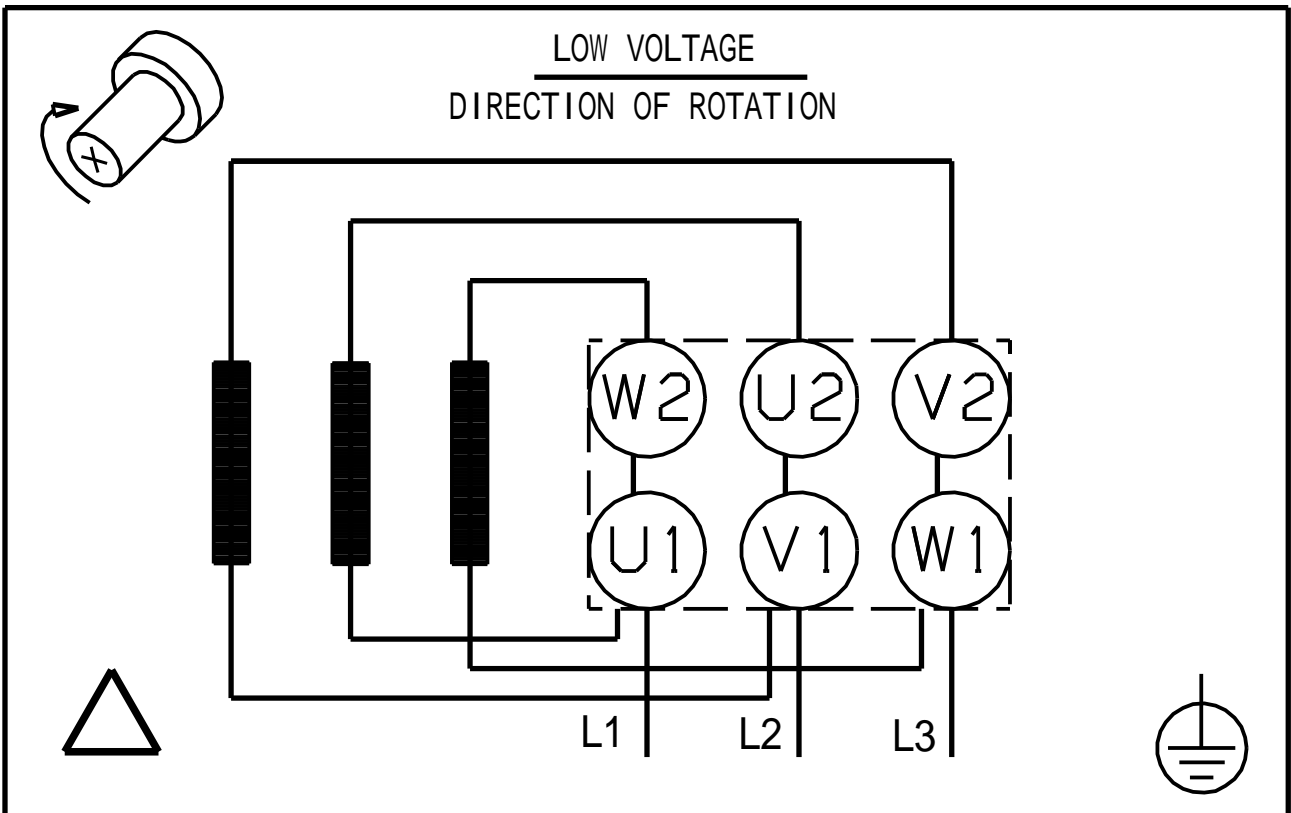
MTS 20-30 R28 D8.6 60 Hz



!

[mm]

MTS 20-30 R28 D8.6 60 Hz



!

[mm]