

1 MTS 140-60 R39 DQ



Screw spindle pump designed for pumping of cooling lubricants and cutting oils water/oil emulsion min. 3% for machine tool applications. The pump is designed to be mounted on top of tanks with pump immersed in the pumped liquid.

The pump has the following characteristics:

- High efficiency ensures very low heat input into the cooling lubricant.
- Axial thrust completely neutralised hydrostatically.
- Very wear resistant due specially hardened surfaces.
- DQ - shaft seal ring.
- Power transmission via cast iron flexible coupling.

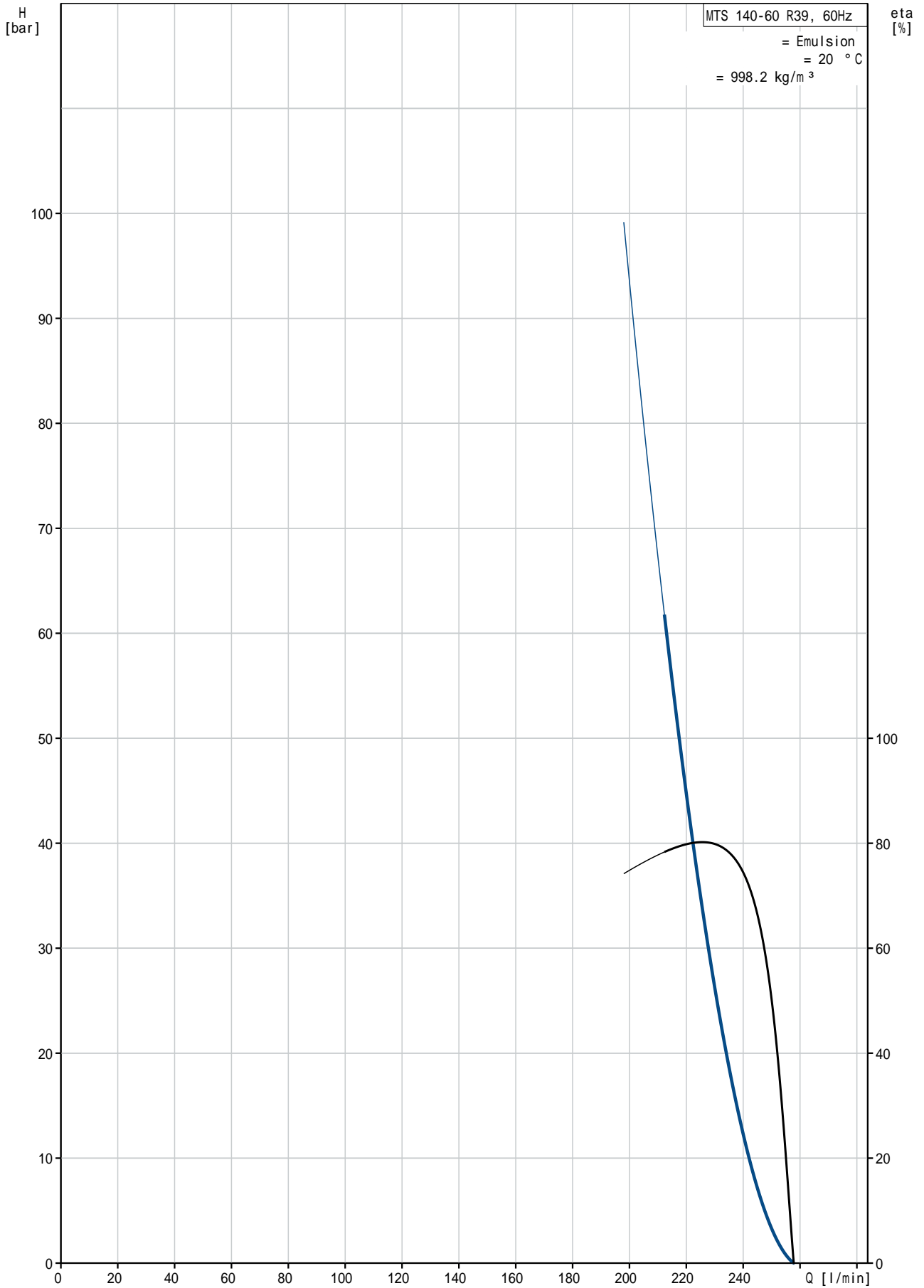
The motor is a 3-phase AC motor.

:	:	Emulsion
:	:	80 °C
:	:	20 °C
:	:	998.2 kg/m ³
:	:	
:	가	: 3500 rpm
:	:	213 l/min
1	:	DQ
가:	:	CE
:	:	
:	:	55 °C
:	:	60 bar
:	:	G2"
:	:	G 1 1/4" / SAE 1 1/2"
:	:	386 mm
:	:	FF350
:	:	
IE	:	SIEMENS
	:	NEMA Premium / IE3 60Hz
	- P2:	30 kW
	(P2):	27.1 kW
	:	60 Hz
	:	3 x 380-420D/660-725Y V
	:	56,0-50,0/32,0-29,0 A
	:	610-610 %
cos phi -	:	0.89
:	:	3545 rpm
:	:	IE3 92,4%
	:	92.4-92.4 %
3/4	:	92.8-92.8 %
1/2	:	92.5-92.5 %
:	:	2
	(IEC 34-5):	55 Dust/Jetting

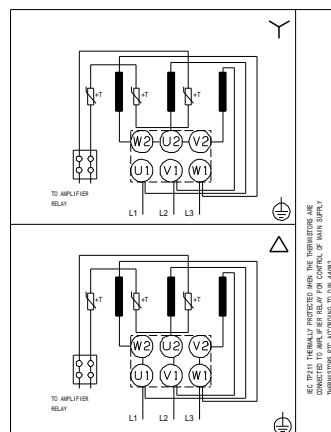
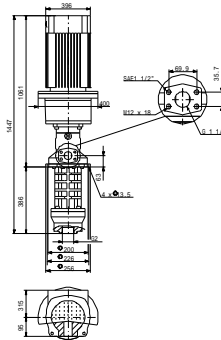
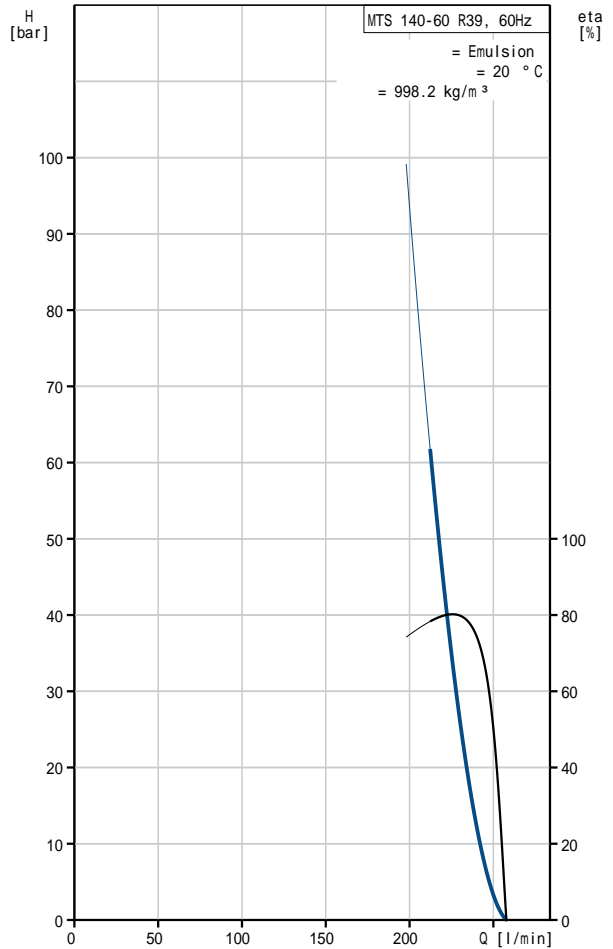
(IEC 85): F

:
: 235 kg

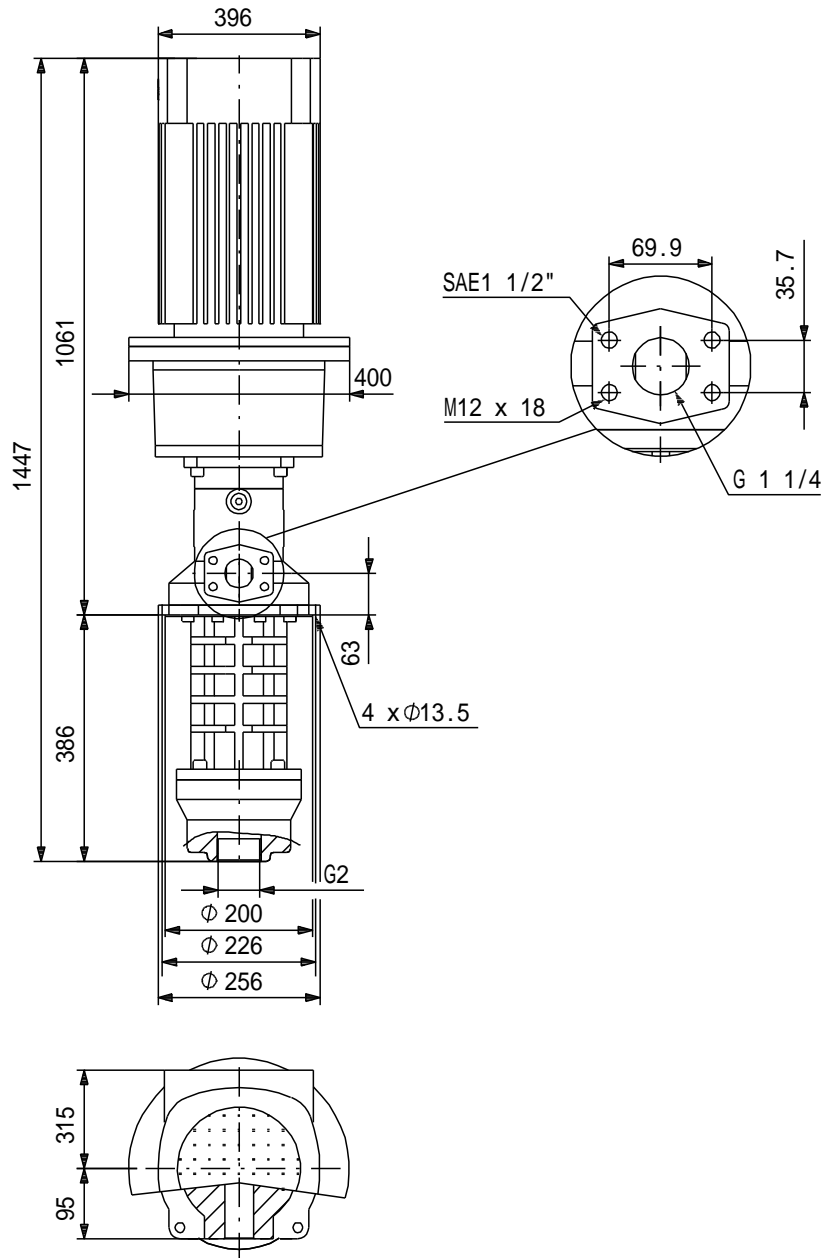
MTS 140-60 R39 DQ 60 Hz



MTS 140-60 R39 DQ	
EAN	
가	3500 rpm
	213 l/min
1	DQ
가:	CE
	A
	55 °C
	60 bar
	G2"
	G 1 1/4" / SAE 1 1/2"
	386 mm
	FF350
	Emulsion
	80 °C
	20 °C
	998.2 kg/m ³
	SIEMENS
IE	NEMA Premium / IE3 60Hz
- P2:	30 kW
(P2):	27.1 kW
	60 Hz
	3 x 380-420D/660-725Y V
	56,0-50,0/32,0-29,0 A
	610-610 %
cos phi -	0.89
	3545 rpm
	IE3 92,4%
	92.4-92.4 %
3/4	92.8-92.8 %
1/2	92.5-92.5 %
	2
(IEC 34-5):	55 Dust/Jetting
(IEC 85):	F
	PTC
	83U15232
Pos term	12 o'clock
	235 kg
	3 %
	39



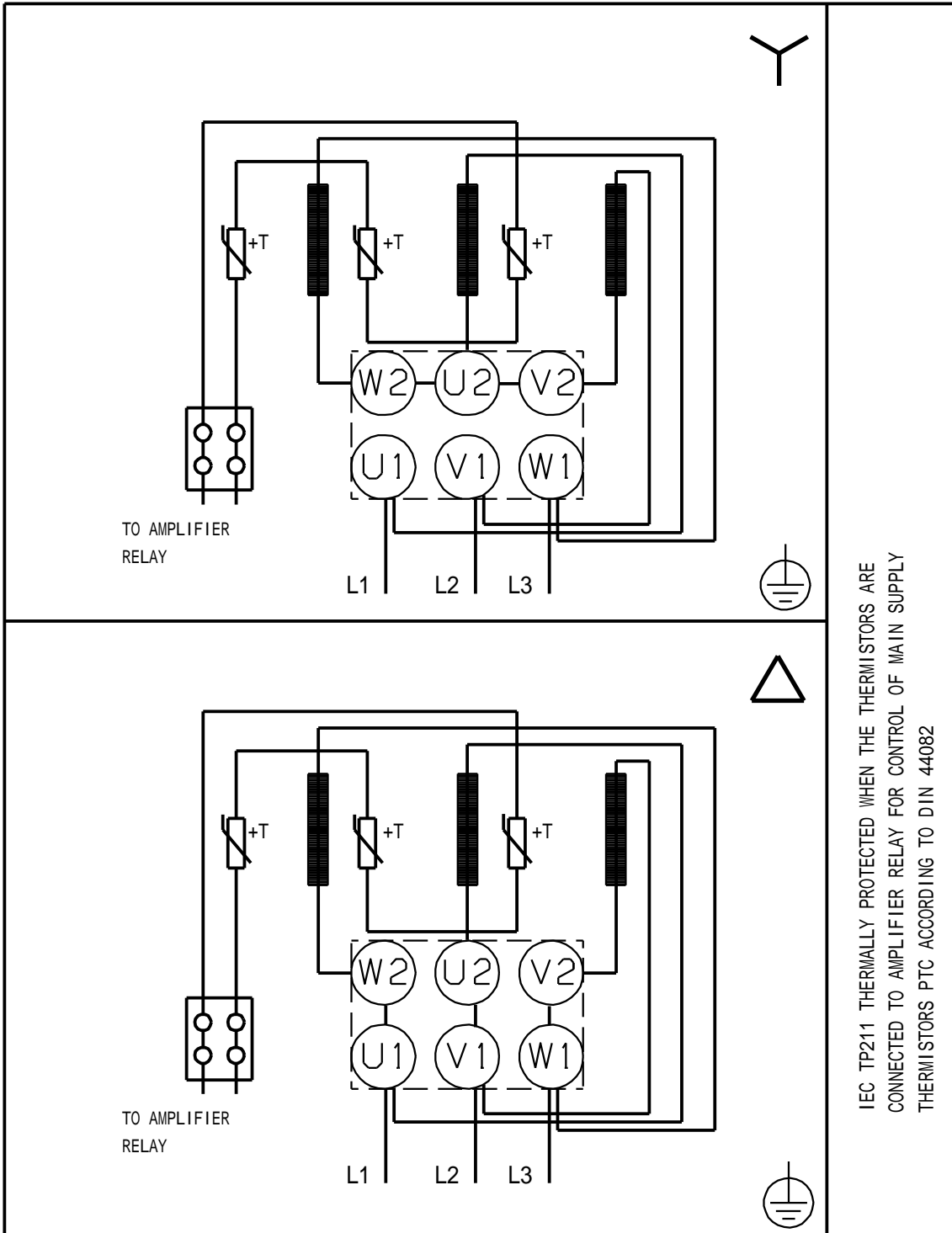
MTS 140-60 R39 DQ 60 Hz



!

[mm]

MTS 140-60 R39 DQ 60 Hz



IEC TP211 THERMALLY PROTECTED WHEN THE THERMISTORS ARE
CONNECTED TO AMPLIFIER RELAY FOR CONTROL OF MAIN SUPPLY
THERMISTORS PTC ACCORDING TO DIN 44082